



P.M.H.

**BATHROOM RADIATORS
ELECTRIC DRYERS**



^
Configurator



^
Documents



elegance not only for your bathroom



Most of P.M.H. radiator packaging is plastic-free and completely recyclable.
Plastic waste from radiator packaging has been reduced by almost 2 tons.
We will also save 210,000 m of plastic tape per year.

GENERAL INFORMATION

Bathroom radiators

Radiators of the company P.M.H. Design s.r.o. are manufactured and tested in accordance with harmonized P.M.H. Design radiators are manufactured and tested in accordance with EN 442-1:2014. The radiators are intended for heating systems where the heated water or other heat transfer medium is used in accordance with ČSN 07 7401.

The highest permitted operating overpressure is 0.6 MPa (6 bar), regardless of whether the heating system is gravity or forced circulation, see Declaration of Performance.

The connection threads are G ½ for all radiators.

P.M.H. Design also offers accessories for radiators such as valves, electric heating elements with an power of 150 to 800 W and chrome handles.

The placement of radiators with an electric heating element must be carried out in accordance with the requirements of the standard ČSN 33 2000-7-701, see our brochure Location of electric heating devices in bathrooms for more information

Electric dryers

Electric dryers of the company P.M.H. Design s.r.o. are manufactured and tested according to the standards ČSN EN 60335-1 ed.3:2012 and ČSN EN 60335-2-43 ed.3:2021.

The placement of electric dryers must be carried out in accordance with the requirements of the standard ČSN 33 2000-7-701, see our brochure Location of electric heating devices in bathrooms for more information.

ORDERS, SUPPORT & SALES

We accept orders only in writing by email to info@pmh-co.cz. Order confirmation is always in writing. The goods are not ordered if you have not received this confirmation within 3 days, if so please send it again with the note "ordered a second time".

Telephone contact for the sales department: 380 711 237

MOUNTING & MAINTENANCE

Mounting of the radiator and electric dryers must be carried out by a professional company in accordance with the product mounting instructions (all mounting instructions can be found on our website) in order to comply with the requirements of the Complaints Procedure of the company P.M.H. Design s.r.o.

Use a damp microfiber cloth to clean bathroom radiators. It is not appropriate to use abrasive or chemical detergents. For stainless steel, we recommend a special cleaner for stainless steel (part of the package).

WARRANTY

Warranty periods and exclusions from the warranty are governed by the warranty conditions and the complaints procedure stated on our website. Bathroom radiators have a warranty period of 5 years. Electric dryers, electric heating elements, valves and other accessories have a warranty period of 2 years.

COMPLAINTS

Complaints about goods are governed by the complaints procedure stated on our website. We only accept complaints sent to email address reklamace@pmh-co.cz. reklamace@pmh-co.cz.

RETURN OF GOODS & ORDER CANCELLATION

The cancellation conditions are governed by the general terms and conditions stated on our website. The conditions for cancellation of an order and return of goods must be agreed with the supplier. In the event of a return of goods, the goods must be unused, undamaged and in the original packaging. The customer will be charged a cancellation fee associated with handling, inspection and repackaging in the amount of 10% of the retail price excluding VAT.

Technical changes, printing errors reserved. Photos are for illustrative purposes only.
P.M.H. Design s.r.o. reserves the right to change prices and specifications without prior notice.

BATHROOM RADIATORS



KRONOS 8-9



APOLLO 10-11



THEIA 12-13



ZOE 14-15



DARIUS 16-17



ROSENDAL 18-19



ROSENDAL MASSIVE 20-21



PLUTO X 22-23



PLUTO 24-25



ULYSSES 26-27



PEGASUS 28-29



AVENTO 30-31



AVENTO FRAME 32-33



GALEON 34-35



SORANO 36-37



SORANO FRAME 38-39



NAAS 40-41



LUXOR 42-43



DANBY 44-45



LAVENO 46

ELECTRIC DRYERS



OLE 48-49



LISA 50-51



MAIA 52-53



BRITTA 54-55



INGA 56-57



MONA 58-59



NIKLAS 60-61



KARES 62-63



VENUS 64-65



FENIX 64-65

ACCESSORIES



VALVES 67-72



COMPRESION FITTINGS 73



ROSETTES 74



HANDELS 74



EL. HEATING ELEMENTS 75-78

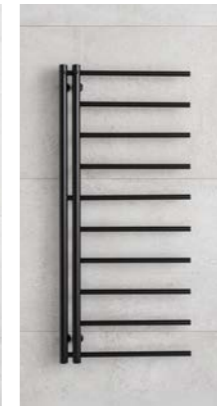
BATHROOM RADIATORS

P.M.H.

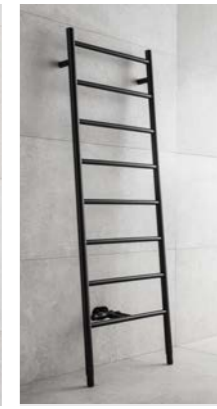
RADIATORS WITH CENTRAL CONNECTION



KRONOS 8-9



APOLLO 10-11



ZOE 14-15



PEGASUS 28-29



AVENTO FRAME 32-33



NAAS 40-41



SORANO FRAME 38-39

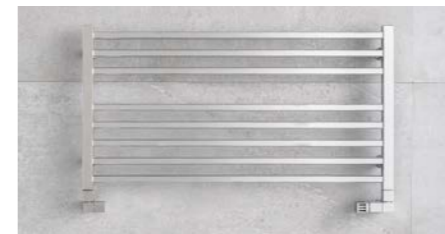


DANBY 44-45

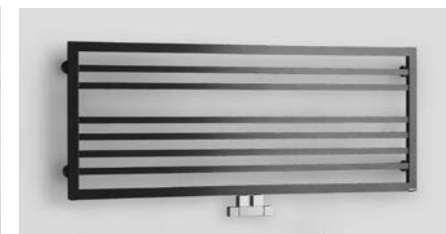
RADIATORS FOR HORIZONTAL INSTALLATION



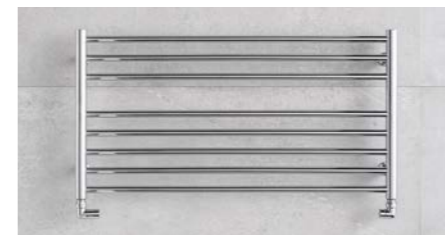
ROSENDAL 18-19
950 × 266
1500 × 266



AVENTO 30-31
905 × 480
1210 × 480



AVENTO FRAME 32-33
1210 × 480
905 × 480

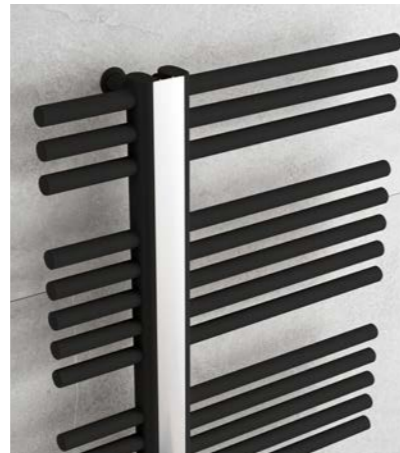


SORANO 36-37
905 × 480
1210 × 480

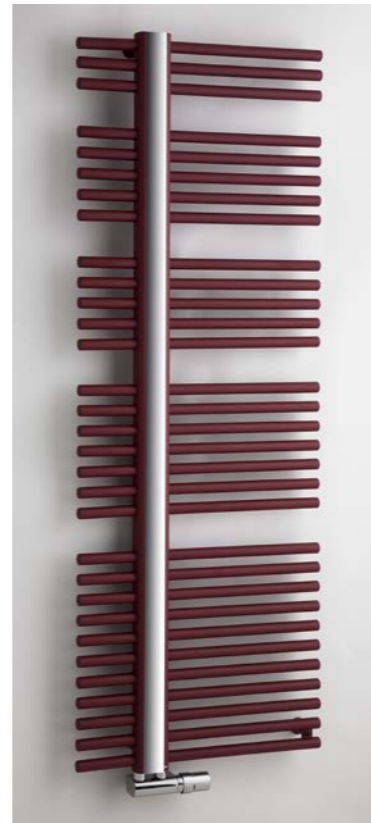
WARNING: not recommended to combine with electric heating element.



KRONOS KR3BL - black
(structural colour)
600 × 1670 mm



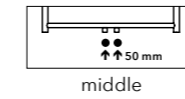
KRONOS KR3RE - claret coated
(structural colour)
600 × 1670 mm



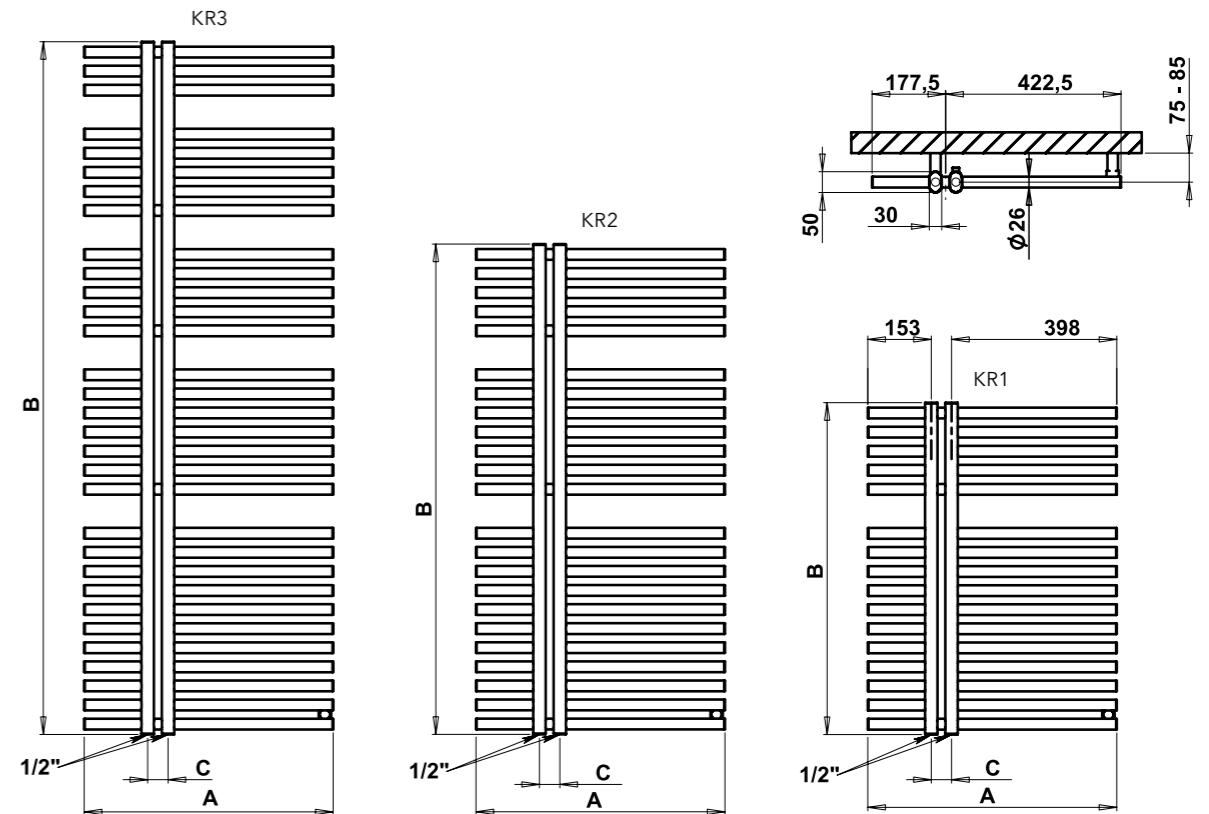
KRONOS KR3BE - beige
(structural colour)
600 × 1670 mm

Location of "attachment" to the wall: ↓ 25 mm ↑ 48 mm
 Central heating: YES
 Combination heating: YES
 Electric heating: YES
 Vertical tubes: 50 × 30 mm
 Horizontal tubes: Ø 26 mm

Connection options:



Kronos is supplied with the polished aluminum strip; you can remove it at any time and thus change the appearance of the radiator.



Other surface finish (coated)*	Width (A) x Height (B) [mm]	Connection span (C) [mm]	HO [W] Δt 20°C 75/65°C	
			Coated	Max. recommended electric heating element [W]
KR1	600 × 800	50	520	500
KR2	600 × 1182	50	746	600
KR3	600 × 1670	50	1016	800

*Other surface finishes see page 79.

The radiator can only be supplied in the illustrated version - with longer pipes on the right side.



Practical hooks for hanging towels and bathrobes



Hidden air valve



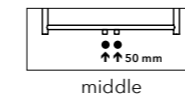
APOLLO AP1B- black coated finish
500 x 1140mm



APOLLO AP2C- chrome
500 x 1500 mm

Location of "attachment" to the wall: ↓ 80 mm ↑ 80 mm
 Central heating: YES
 Combination heating: YES
 Electric heating: YES

Connection options:



Connection 50 mm
Central and Combination heating



Thermostatic valve
 INTER, COMBI
 Apollo, standard version
 = COMBI-L, INTER-L
 Apollo, left version
 = COMBI-R, INTER-R

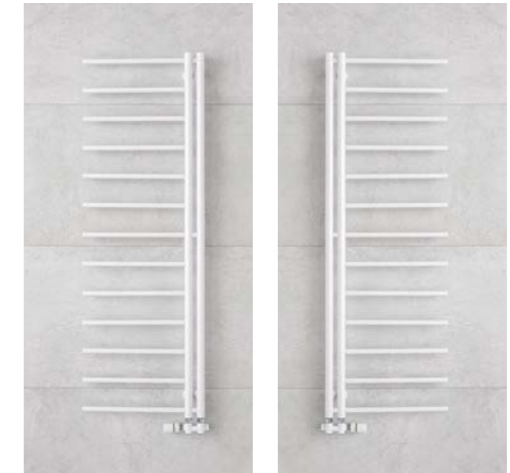
Connection 50 mm
Central heating



Thermostatic valve
 ONE, UNIKO
 Apollo, standard version
 = ONE-L, UNIKO-L
 Apollo, left version
 = ONE-R, UNIKO-R

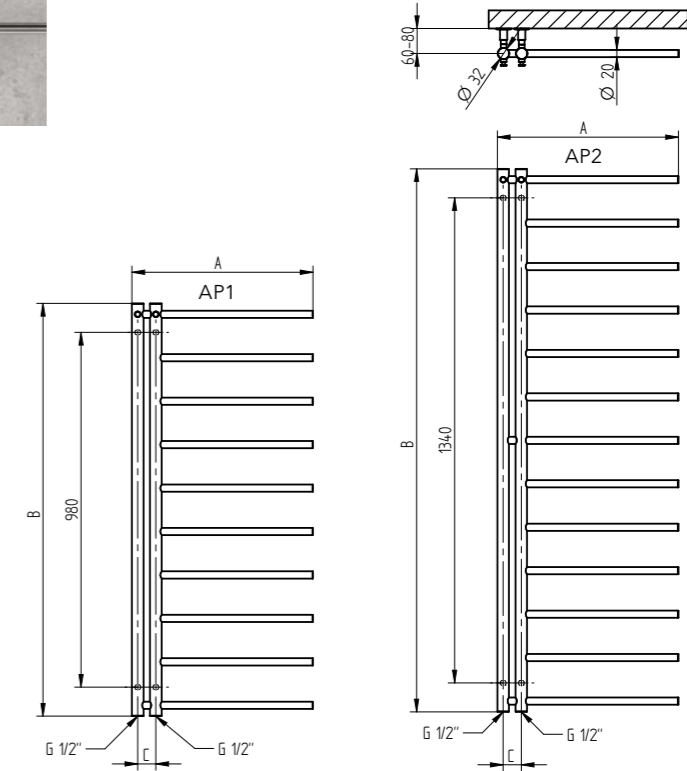


Thermostatic valve TWIN-COM



atypical version,
 - left, AP2W-L

standard version,
 AP2W



Chrome	Brushed stainless steel	Other surface finish (coated)*	Width (A) x Height (B) [mm]	Connection span (C) [mm]	HO [W] Δt 20°C 75/65°C			Max. recommended electric heating element [W]		
					Chrome	Stainless steel	Coated	Chrome	Stainless steel	Coated
AP1C	AP1SS	AP1	500 x 1140	50	168	200	266	150	200	200
AP2C	AP2SS	AP2	500 x 1500	50	219	261	346	200	200	300
AP1C-L	AP1SS-L	AP1-L	500 x 1140	50	168	200	266	150	200	200
AP2C-L	AP2SS-L	AP2-L	500 x 1500	50	219	261	346	200	200	300

*Other surface finishes see page 79.



Practical hooks for hanging towels and bathrobes



Hidden air valve



THEIA T1A - metallic anthracite
500 x 940 mm



THEIA T2C - chrome
500 x 1540 mm

Location of "attachment" to the wall: ↓ 70 mm ↑ 70 mm

Central heating: YES

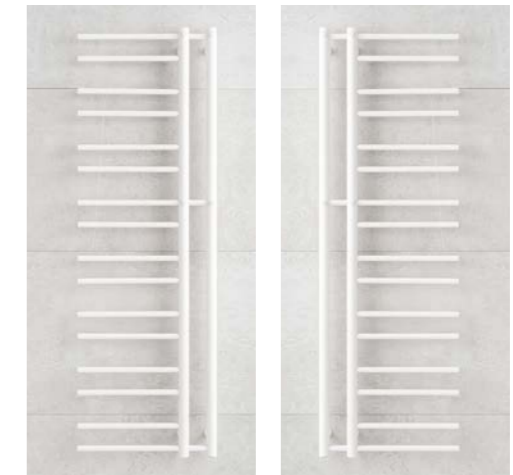
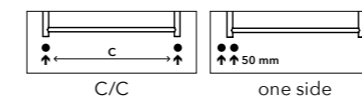
Combination heating: YES

Electric heating: YES

Pitch: 100 mm

The centre valve cannot be used.

Connection options:



T2W-L left version

T2W right version

Connection 50 mm



Central and Combination heating:

Thermostatic valve ONE, UNIKO

(Theia, standard version = ONE-L, UNIKO-L,
Theia, left version = ONE-R, UNIKO-R)

Connection 100 mm



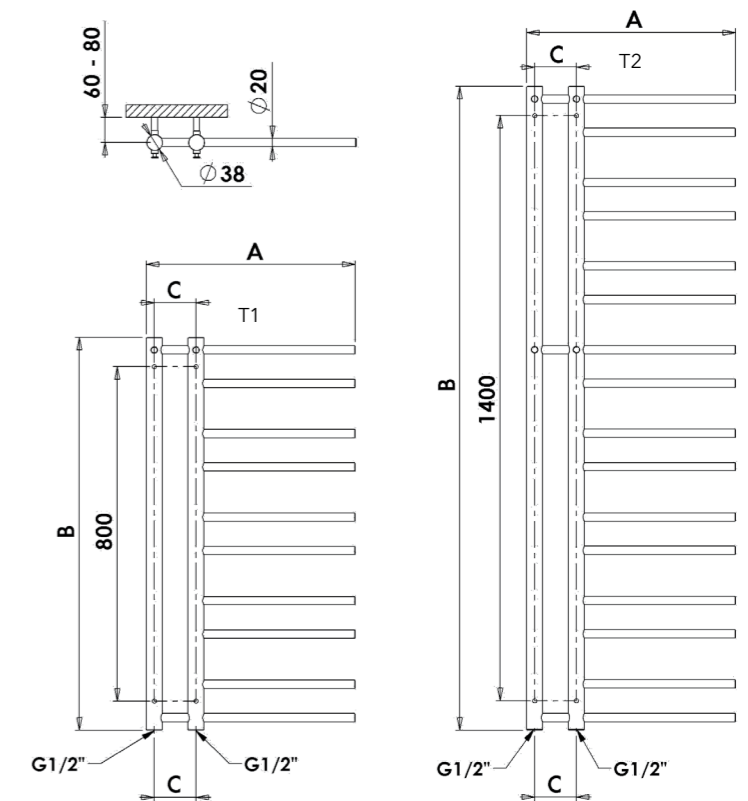
Central heating:

Valve EASY or thermostatic valve COMBI, INTER

Combination heating:

Thermostatic valve COMBI, INTER

(Theia, standard version = COMBI-L, INTER-L
Theia, left version = COMBI-R, INTER-R)



Chrome	Other surface finish (coated)*	Width (A) x Height (B) [mm]	Connection span (C) [mm]	HO [W] Δt 20°C 75/65°C		Max. recommended electric heating element [W]	
				Chrome	Coated	Chrome	Coated
T1C	T1	500 x 940	100	156	247	150	200
T2C	T2	500 x 1540	100	253	399	200	300
T1C-L	T1-L	500 x 940	100	156	247	150	200
T2C-L	T2-L	500 x 1540	100	253	399	200	300

*Other surface finishes see page 79.



ZO1B-M
black coated
600 x 1700 mm



ZO1B
black coated
600 x 1700 mm

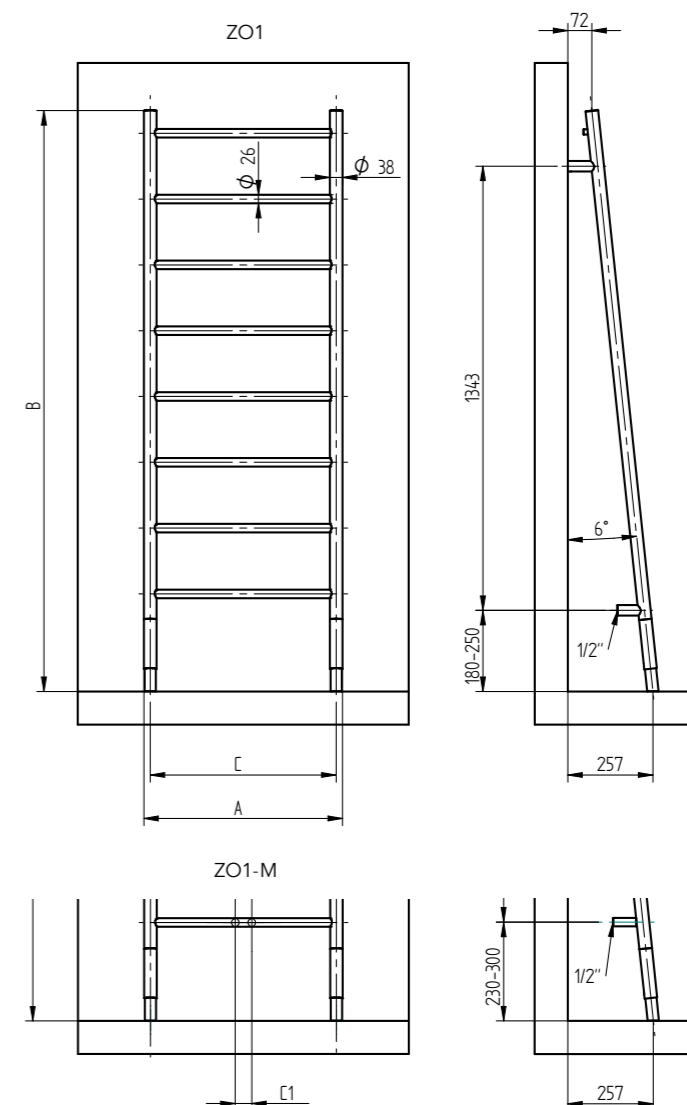
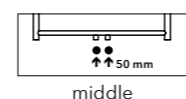
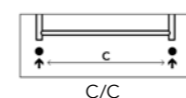


ZO1B
black coated
600 x 1700 mm



Central heating: YES
Combination heating: NO
Electric heating: NO
Horizontal pipes: Ø 26 mm
Vertical pipes: Ø 38 mm

Connection options:



Radiátor

Chrome	Black coated	Width (A) x Height (B) [mm]	Connection span (C/C1) [mm]	HO [W] At 20°C 75/65°C	
				Chrome	Coated
ZO1C	ZO1B	600 x 1700 - 1770	562	291	459
ZO1C-M	ZO1B-M	600 x 1700 - 1770	50	291	459

The radiator is only produced in chrome and black coating.

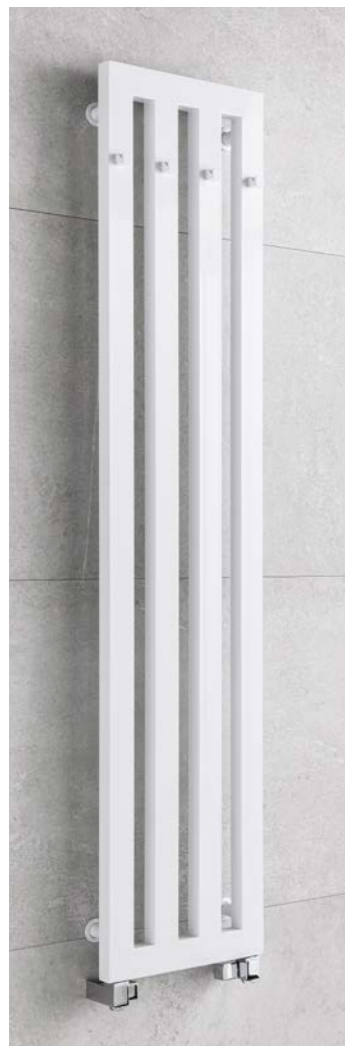
Recommended accessories for ZOE (connection to the pitch)

Type Royal	Order code	Compression fitting for valve ROYAL	Black coated	Chrome	Rosette C/C	Order code
Chrome	ROYAL-C	Copper Ø 15	11804524	11804502	Chrome	013G3133
Black	ROYAL-B	Alupex Ø16 x 2	RMX04824	RMX04802	Black	R821B

Recommended accessories for ZOE-M (middle connection)

Type DUO	Order code	Compression fitting for valve DUO	Black coated	Chrome	Rosette for middle connection	Order code
Chrome	DUO-C-EK	Copper Ø 15	ZZM1524	ZZM1502	Chrome	013G3208
Black	DUO-B-EK	Alupex Ø16 x 2	ZZM1624	ZZM1602	Black	R823B

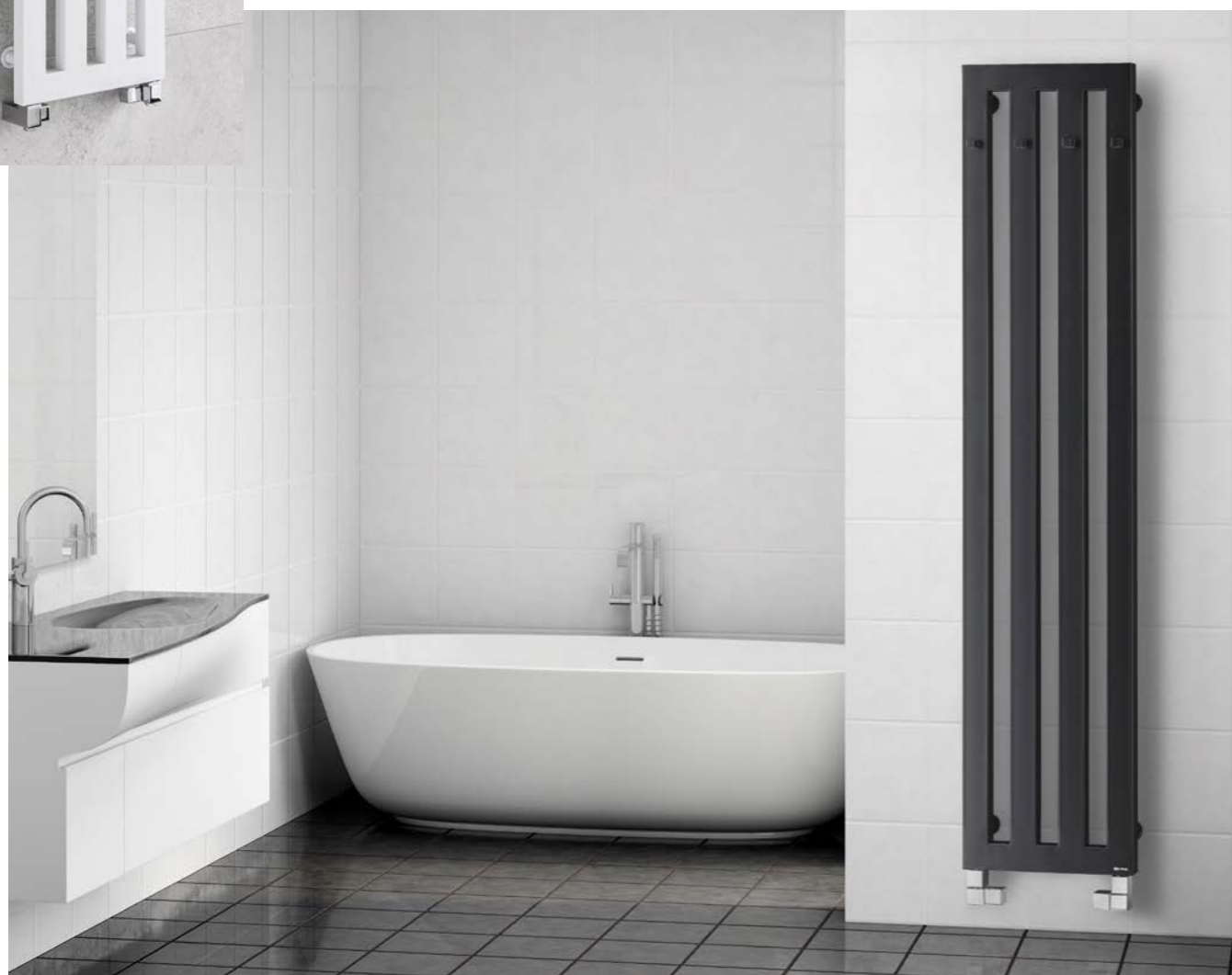
DARIUS WITH HOOKS



DARIUS WITH HOOKS DAH5W
white coated
326 x 1500 mm



DARIUS - detail hook
white coated



DARIUS WITH HOOKS

Radiator Darius with hooks can only be positioned vertically.

Location of "attachment" to the wall: ↓ 70 mm ↑ 70 mm

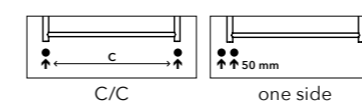
Central heating: YES

Combination heating: YES

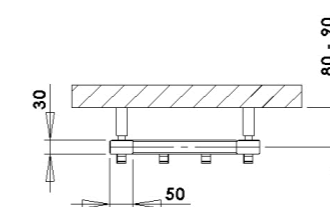
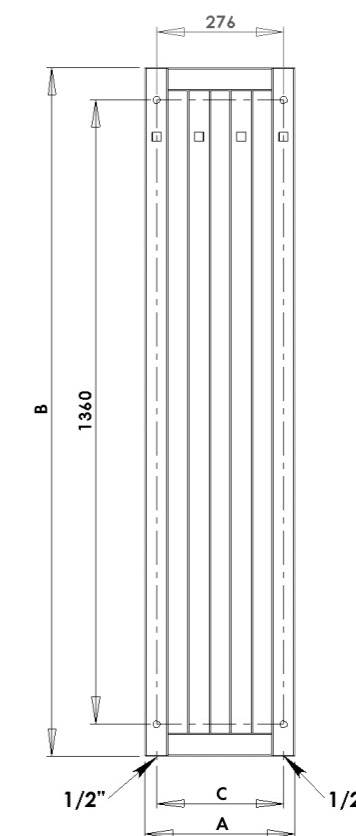
Electric heating: YES

Profile: 30 x 50 mm

Connection options:

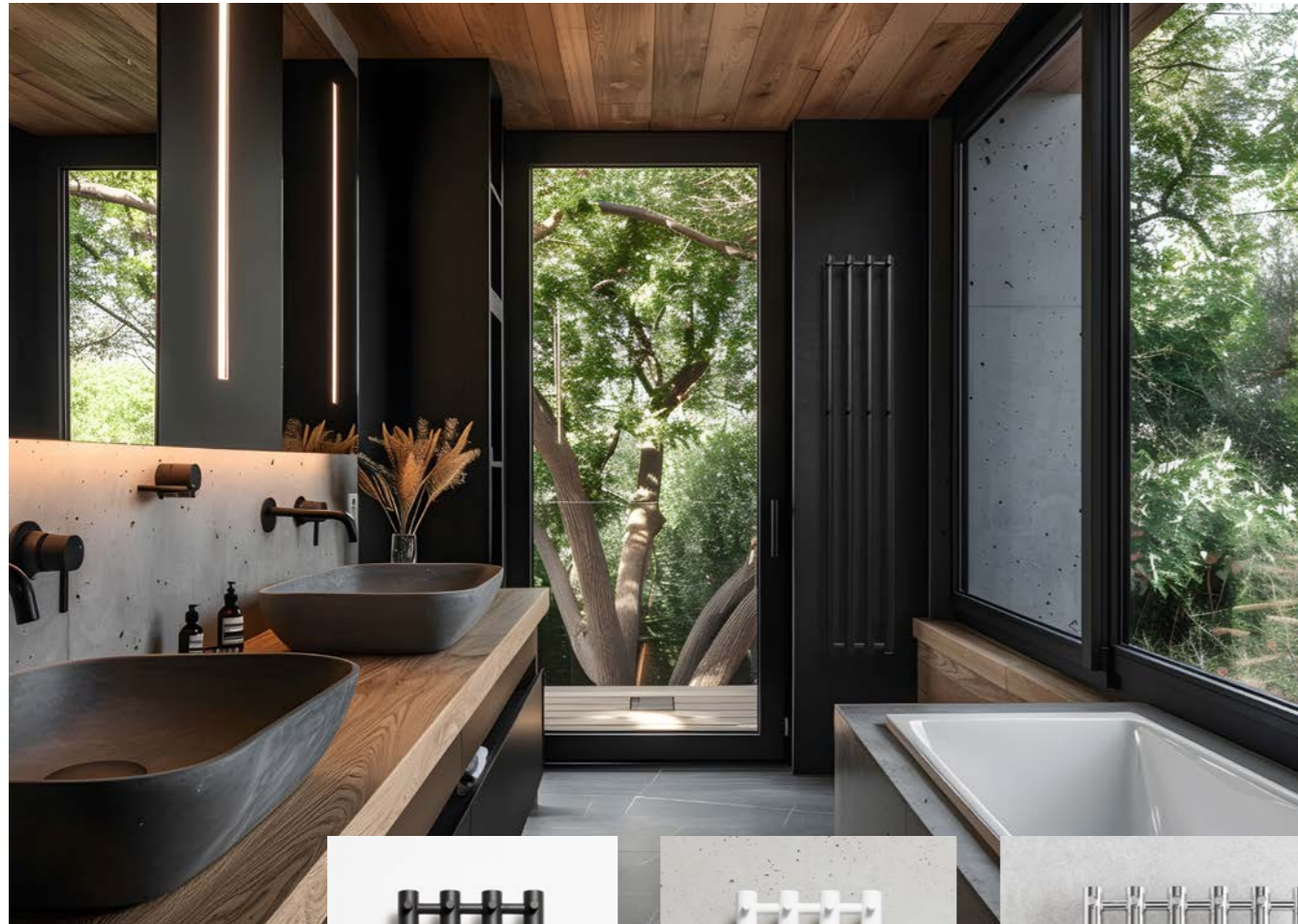


DAH5, DAH6



Other surface finish (coated)*	Width (A) x Height (B) [mm]	Connection span (C) [mm]	HO [W] At 20°C 75/65°C	Max.recommended electric heating element [W]
			Coated	Coated
DAH5	326 x 1500	276	506	500
DAH6	326 x 1800	276	603	500

*Other surface finishes see page 79.



ROSENDAL R2B
black coated finish
266 × 1500 mm



ROSENDAL R2W
white coated finish
266 × 1500 mm



ROSENDAL R2C/6
chrome
420 × 1500 mm



Practical hooks for hanging
towels and bathrobes

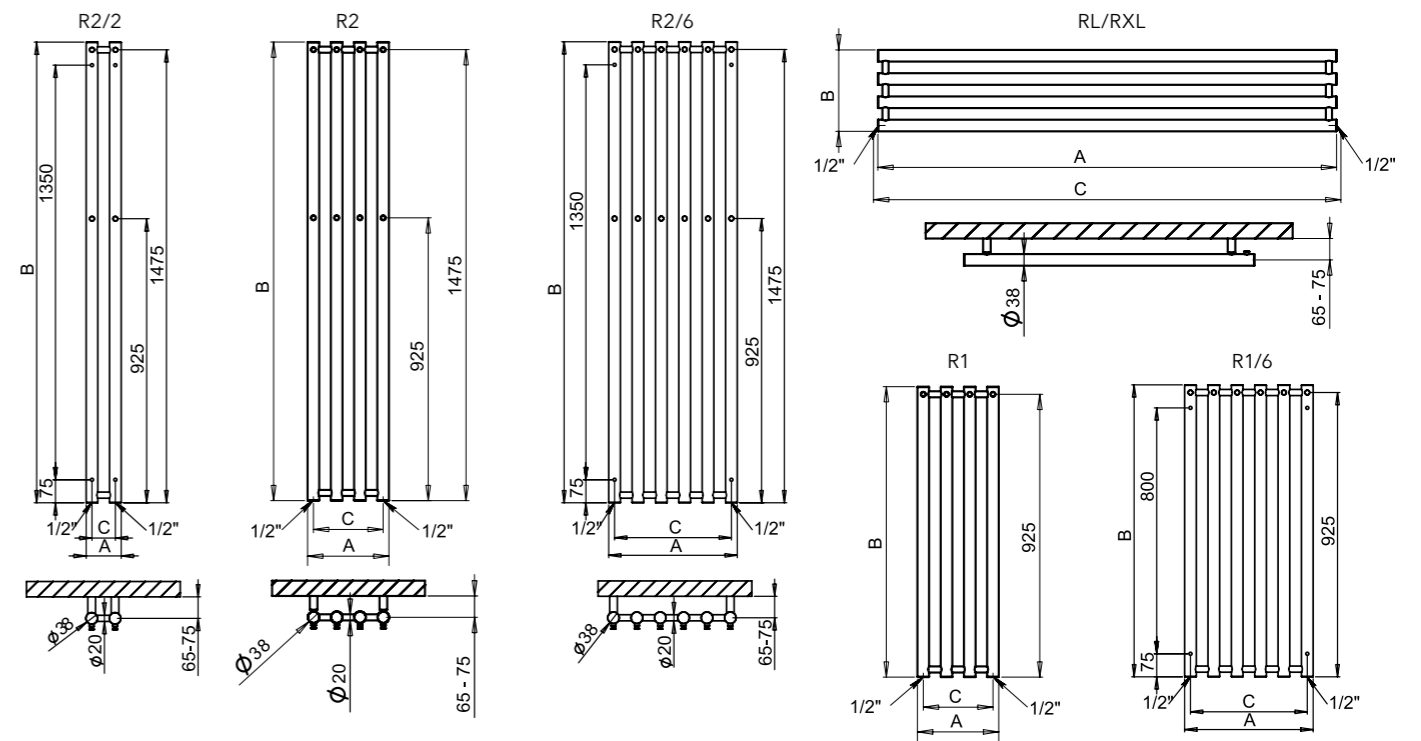
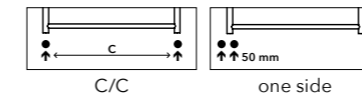
Location of "attachment" to the wall: ↓ 75 mm ↑ 75 mm

Central heating: YES

Combination heating: YES

Electric heating: YES

Connection options:



Chrome	Brushed stainless steel	Other surface finish (coated)*	Width (A) x Height (B) [mm]	Connection span (C) [mm]	HO [W] Δt 20°C 75/65°C			Max. recommended electric heating element [W]		
					Chrome	Stainless steel	Coated	Chrome	Stainless steel	Coated
R2C/2	R2SS/2	R2/2	115 x 1500	76	124	131	195	120	120	200
R1C	R1SS	R1	266 x 950	228	161	170	253	150	150	200
R2C	R2SS	R2	266 x 1500	228	250	265	393	200	200	300
R1C/6	R1SS/6	R1/6	420 x 950	380	242	257	381	200	200	300
R2C/6	R2SS/6	R2/6	420 x 1500	380	376	399	591	300	300	500
Horizontal version										
RLC	RLSS	RL	950 x 266	na dotaz •	161	170	253	-	-	-
RXLC	RXLSS	RXL	1500 x 266	na dotaz •	250	265	393	-	-	-

*Other surface finishes see page 79.

• Pitch according to the technical parameters of the selected valve. L and XL is not recommended for heating only with el. heating rod.

R2/2 -115 x 1500 - one-point valve cannot be used in combination with a heating rod.

ROSENDAL MASSIVE



ROSENDAL R70/3W
white coated



ROSENDAL R70/3RE
claret coated
(structural colour)



ROSENDAL R70/3B
black coated



ROSENDAL MASSIVE

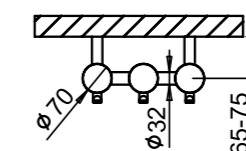
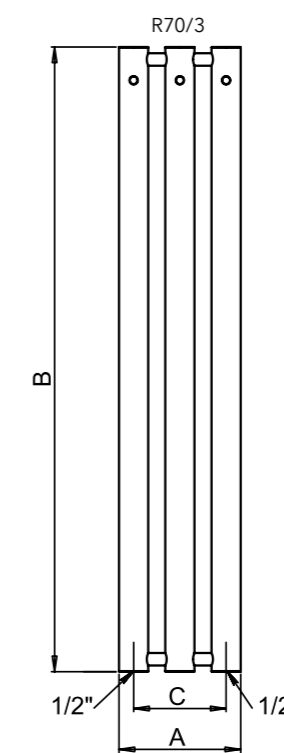
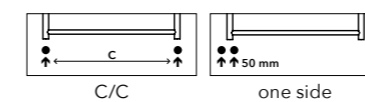
Location of "attachment" to the wall: ↓ 78 mm ↑ 78 mm

Central heating: YES

Combination heating: YES

Electric heating: YES

Connection options:



Chrome	Brushed stainless steel	Other surface finish (coated)*	Width (A) x Height (B) [mm]	Connection span (C) [mm]	HO [W] Δt 20°C 75/65°C			Max. recommended electric heating element [W]		
					Chrome	Stainless steel	Coated	Chrome	Stainless steel	Coated
R70/3C	R70/3SS	R70/3	292 x 1500	222	317	352	498	300	300	400

*Other surface finishes see page 79

PLUTO X

PLUTO X

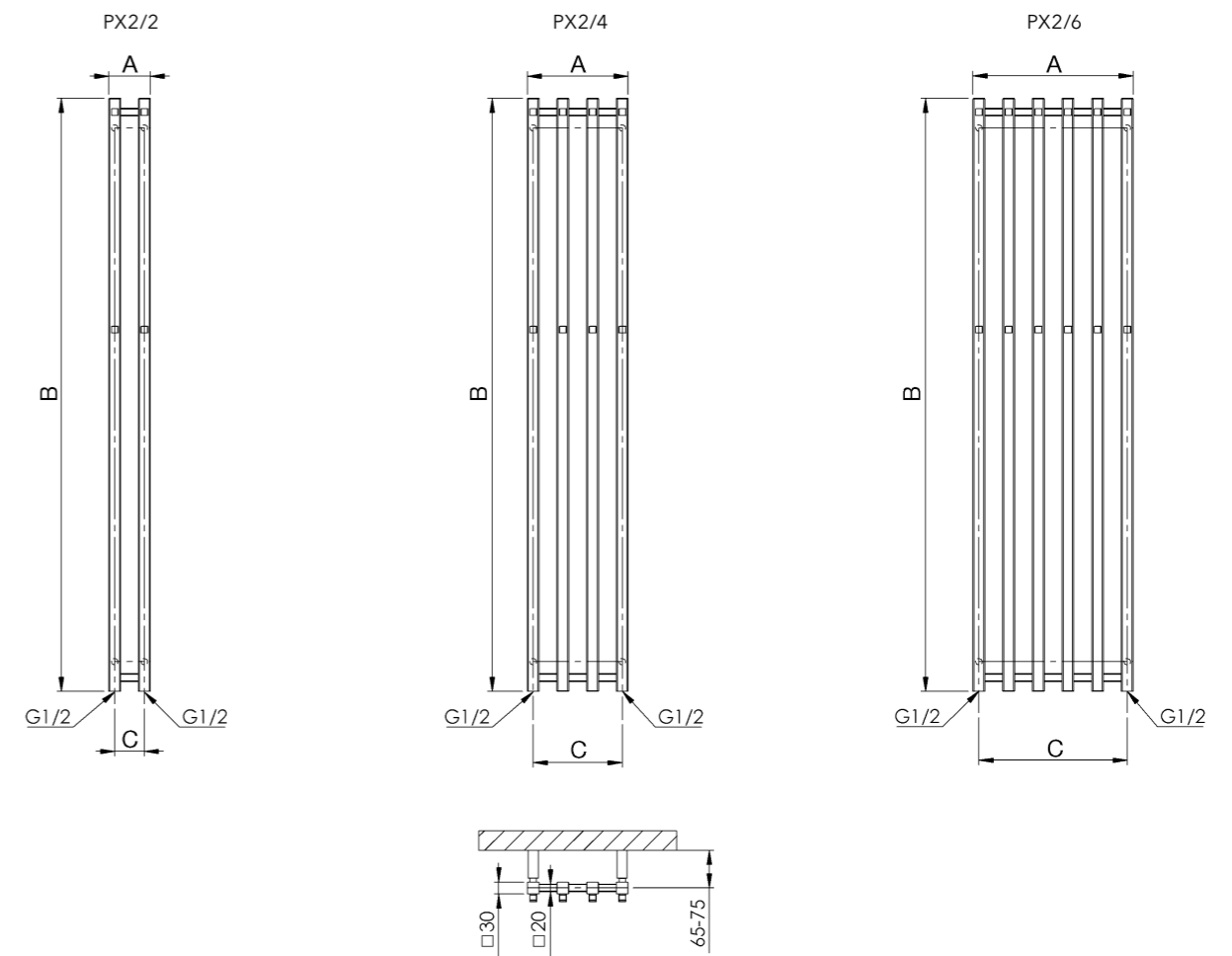
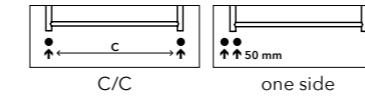


PLUTO PX2C/2
chrome
105 x 1500 mm

PLUTO PX2C/4
chrome
255 x 1500 mm

Location of "attachment" to the wall: ↓ 75 mm ↑ 75 mm
 Central heating: YES
 Combination heating: YES
 Electric heating: YES
 Vertical profile: 30 x 30 mm

Connection options:



Chrome	Width (A) x Height (B) [mm]	Connection span (C) [mm]	HO [W] Δt 20°C** 75/65°C	
			Chrome	Max. recommended electric heating element [W]
PX2C/2	105 x 1500	75	118	120
PX2C/4	255 x 1500	225	238	200
PX2C/6	405 x 1500	375	358	300

PX2/2-105 x 1500 -one-point valve cannot be used in combination with a heating rod.

PLUTO



PLUTO P2W/4
white coated
245 x 1500 mm

PLUTO

Location of "attachment" to the wall: ↓ 75 mm ↑ 75 mm

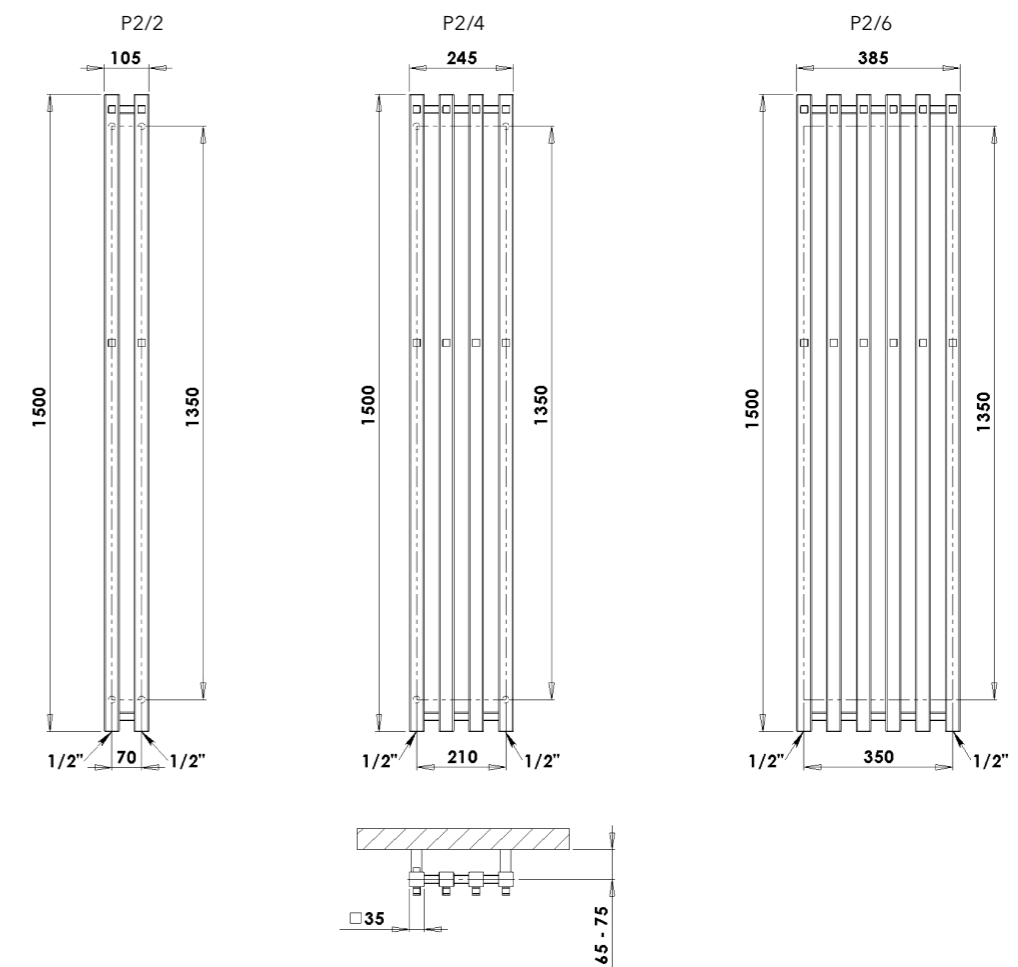
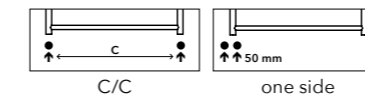
Central heating: YES

Combination heating: YES

Electric heating: YES

Vertical profile: 35 x 35 mm

Connection options:



Chrome	Width (A) x Height (B) [mm]	Connection span (C) [mm]	HO [W] Δt 20°C 75/65°C	Max. recommended electric heating element [W]
			Coated	Coated
P2/2	105 x 1500	70	241	200
P2/4	245 x 1500	210	433	400
P2/6	385 x 1500	350	651	600

*Other surface finishes see page 79.

P2/2 - 105 x 1500 - one-point valve cannot be used in combination with a heating rod.

ULYSSES

ULYSSES



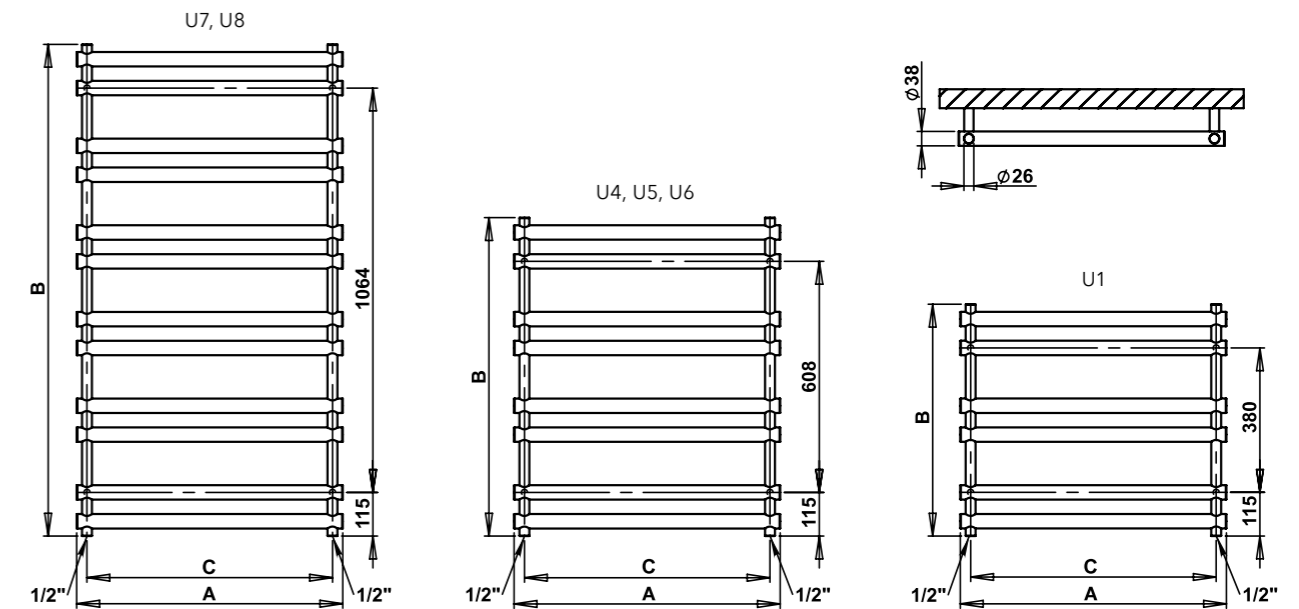
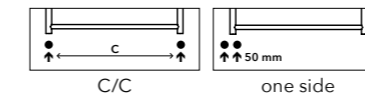
ULYSSES U4C - chrome
500 × 838 mm



ULYSSES U7MS - metallic silver
500 × 1294 mm

Location of "attachment" to the wall: ↓ 115 mm ↑ 115 mm
 Central heating: YES
 Combination heating: YES
 Electric heating: YES
 Horizontal pipes: Ø 38 mm
 Vertical pipes: Ø 26 mm

Connection options:



Chrome	Other surface finish (coated)*	Width (A) x Height (B) [mm]	Connection span (C) [mm]	HO [W] Δt 20°C 75/65°C		Max. recommended electric heating element [W]	
				Chrome	Coated	Chrome	Coated
U1C	U1	500 × 610	446	184	289	150	200
U4C	U4	500 × 838	446	246	388	200	300
U5C	U5	700 × 838	646	323	509	300	500
U6C	U6	900 × 838	846	400	629	300	600
U7C	U7	500 × 1294	446	372	586	300	500
U8C	U8	700 × 1294	646	487	767	400	600

*Other surface finishes see page 79.

PEGASUS



PEGASUS PG8W - white coated,
608 × 1700 mm



PEGASUS PG8W - white coated,
608 × 1700 mm
chrome hanger PGH1H

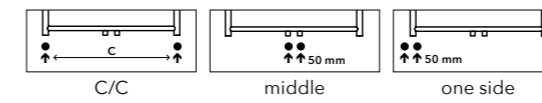


PEGASUS PG8W - white coated,
608 × 1700 mm
chrome hanger PGH1H

PEGASUS

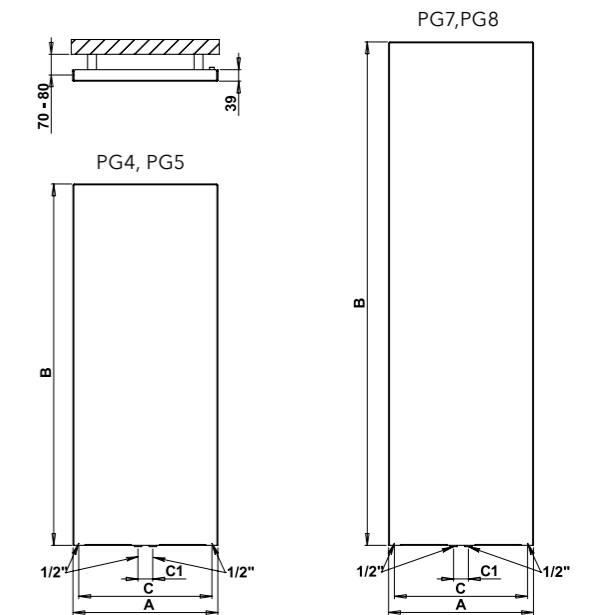
Central heating: YES
Combination heating: YES
Electric heating: YES

Connection options:



Chrome hangers

PGH1	490 × 164 mm
PGH2	605 × 164 mm
PGH1H	490 × 164 mm
PGH2H	605 × 164 mm



Chrome hanger PGH1H - square



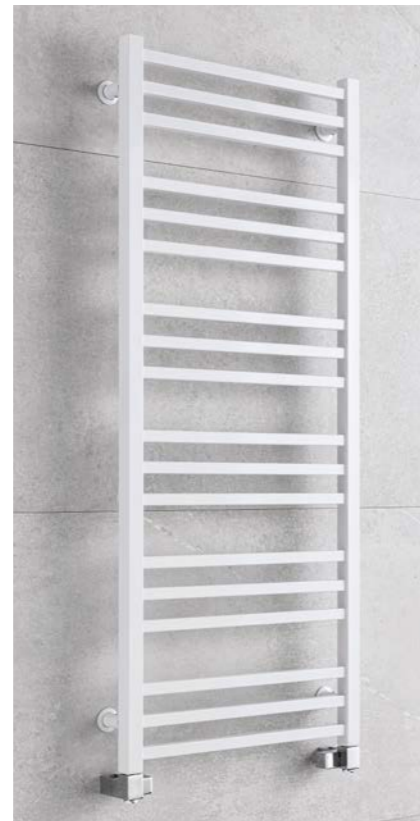
Chrome hanger PGH1

Other surface finish (coated)*	Width (A) x Height (B) [mm]	Connection span (C, C1) [mm]	HO [W] At 20°C / 75/65°C	
			Coated	Max. recommended electric heating element [W]
PG4	488 x 1220	450/50	428	400
PG5	608 x 1220	570/50	513	500
PG7	488 x 1700	450/50	594	500
PG8	608 x 1700	570/50	712	600

*Other surface finishes see page 79.



AVENTO AVLC - chrome
905 x 480 mm



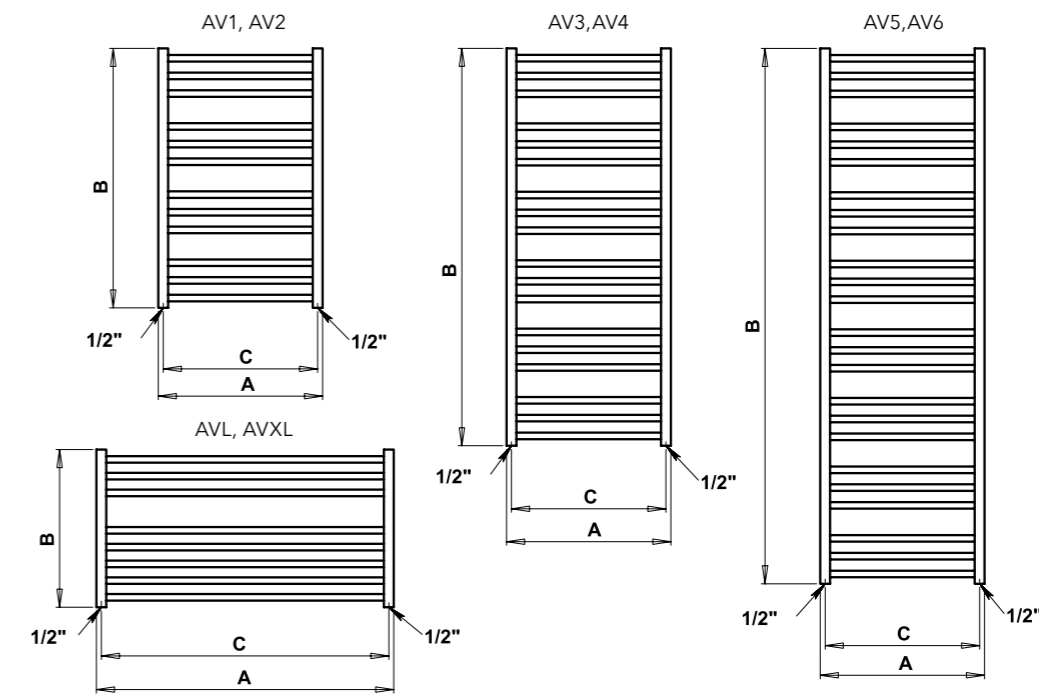
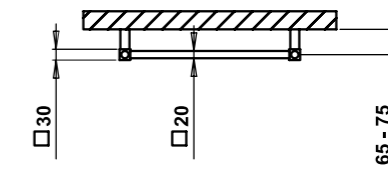
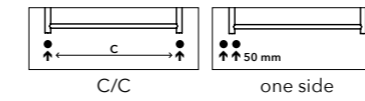
AVENTO AV3W - white coated
500 x 1210 mm



AVENTO AV4B - black coated
600 x 1210 mm

Location of "attachment" to the wall: ↓ 80 mm ↑ 80 mm
 Central heating: YES
 Combination heating: YES
 Electric heating: YES

Connection options:



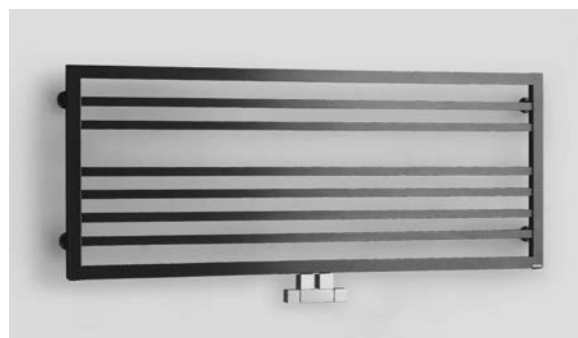
Chrome	Brushed stainless steel	Other surface finish (coated)*	Width (A) x Height (B) [mm]	Connection span (C) [mm]	HO [W] Δt 20°C 75/65°C			Max. recommended electric heating element [W]		
					Chrome	Stainless steel	Coated	Chrome	Stainless steel	Coated
AV1C	AV1SS	AV1	500 x 790	470	206	229	325	200	200	300
AV2C	AV2SS	AV2	600 x 790	570	239	265	376	200	200	300
AV3C	AV3SS	AV3	500 x 1210	470	311	346	491	300	300	400
AV4C	AV4SS	AV4	600 x 1210	570	360	400	567	300	400	500
AV5C	AV5SS	AV5	500 x 1630	470	417	463	656	400	400	600
AV6C	AV6SS	AV6	600 x 1630	570	481	535	758	400	500	600
Horizontal version										
AVLC	AVLSS	AVL	905 x 480	875	221	246	348	-	-	-
AVXLC	AVXLSS	AVXL	1210 x 480	1180	287	319	452	-	-	-

*Other surface finishes see page 79.

L and XL versions are not recommended for use with electric heating element.

AVENTO FRAME

AVENTO FRAME



AVENTO AVFLA
anthracite coated, horizontal design
905 × 480 mm



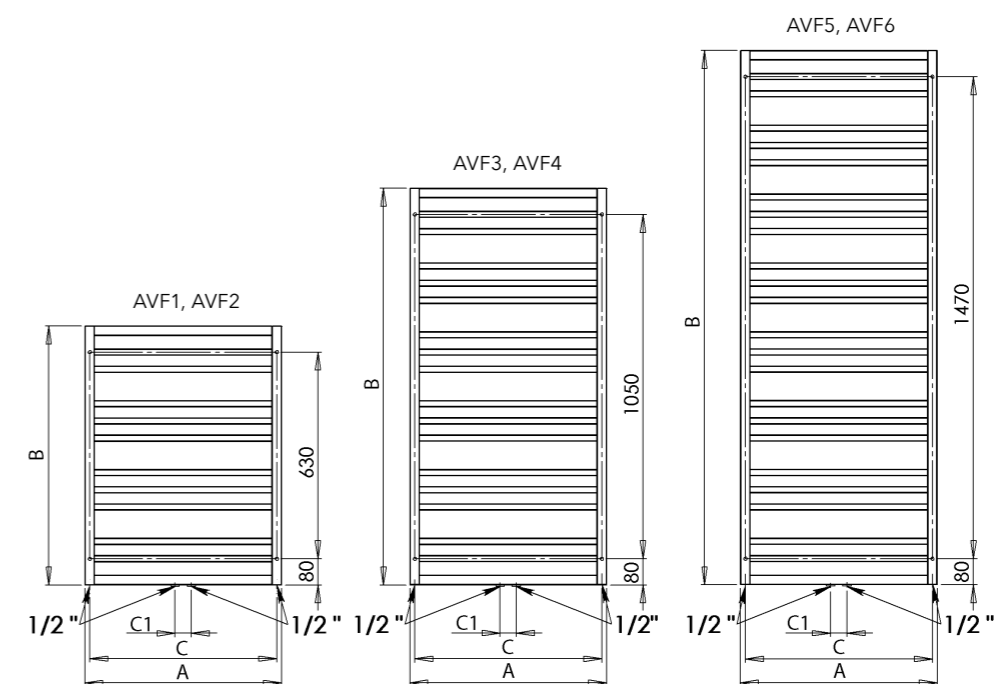
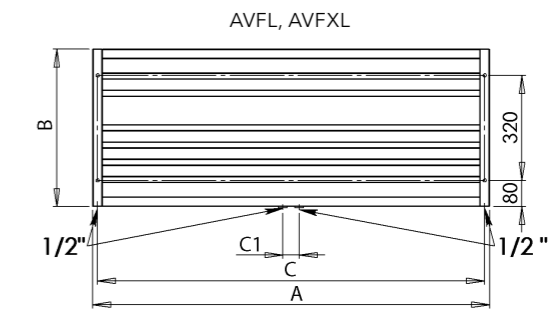
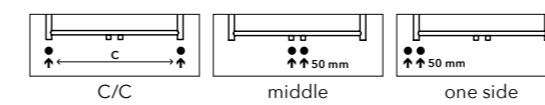
AVENTO AVF4BE
beige (structural colour)
600 × 1210 mm



AVENTO AVF4C
chrome
600 × 1210 mm

Location of "attachment" to the wall: ↓ 80 mm ↑ 80 mm
 Central heating: YES
 Combination heating: YES
 Electric heating: YES
 Horizontal profile: 20 × 20 mm
 Vertical profile: 30 × 30 mm

Connection options:



Chrome	Other surface finish (coated)*	Width (A) x Height (B) [mm]	Connection span (C, C1) [mm]	HO [W] At 20°C / 75/65°C		Max. recommended electric heating element [W]	
				Chrome	Coated	Chrome	Coated
AVF1C	AVF1	500 x 790	470/50	218	344	200	300
AVF2C	AVF2	600 x 790	570/50	253	399	200	300
AVF3C	AVF3	500 x 1210	470/50	323	509	300	500
AVF4C	AVF4	600 x 1210	570/50	375	590	300	500
AVF5C	AVF5	500 x 1630	470/50	429	675	400	600
AVF6C	AVF6	600 x 1630	570/50	496	781	400	600
Horizontal version							
AVFLC	AVFL	905 x 480	875/50	244	384	-	-
AVFXLC	AVFXL	1210 x 480	1180/50	318	501	-	-

*Other surface finishes see page 79.

L and XL versions are not recommended for use with electric heating element.

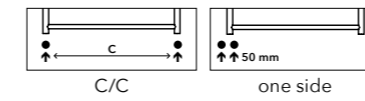
GALEON

GALEON



Location of "attachment" to the wall: ↓ 91 mm ↑ 91 mm
 Central heating: YES
 Combination heating: YES
 Electric heating: YES
 Horizontal profile: 15 × 30 mm
 Vertical profile: 30 × 50 mm

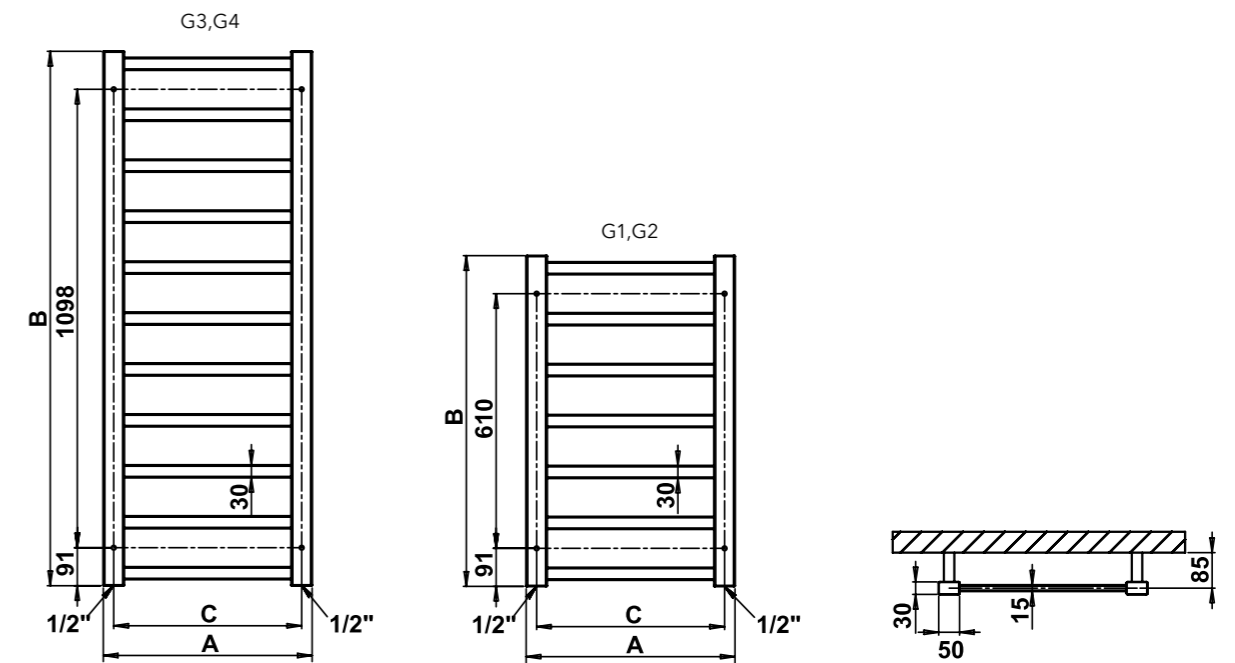
Connection options:



GALEON G1C - chrome
500 × 792 mm



GALEON G2WE - white coated
(structural colour)
600 × 792 mm

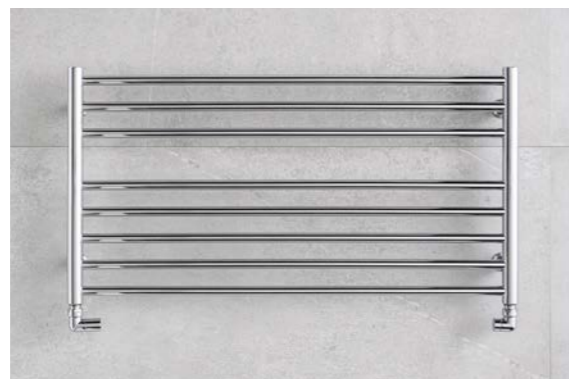
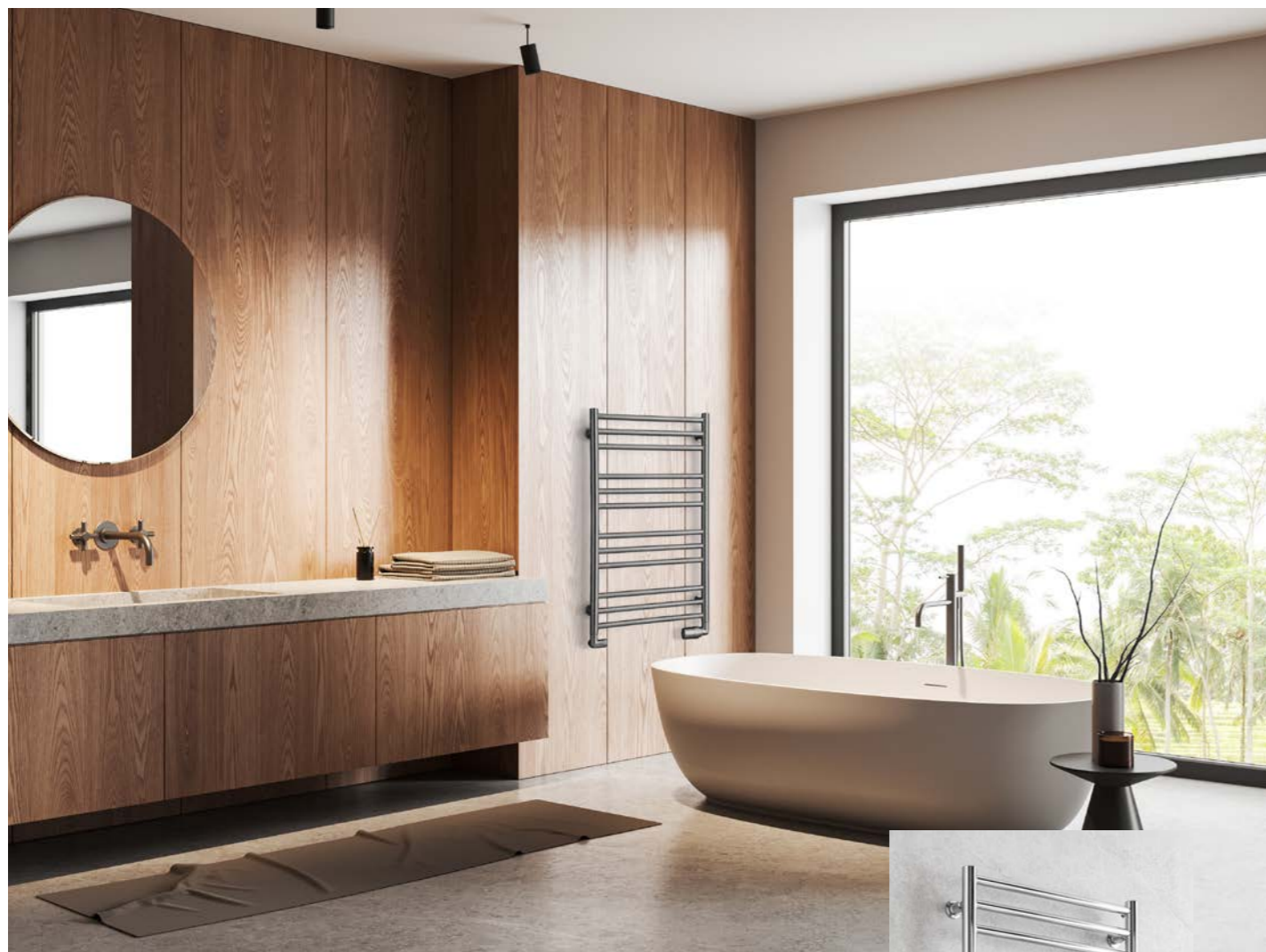


Chrome	Brushed stainless steel	Other surface finish (coated)*	Width (A) x Height (B) [mm]	Connection span (C) [mm]	HO [W] Δt 20°C / 75/65°C			Max. recommended electric heating element [W]		
					Chrome	Stainless steel	Coated	Chrome	Stainless steel	Coated
G1C	G1SS	G1	500 x 792	450	170	189	267	150	150	200
G2C	G2SS	G2	600 x 792	550	191	212	301	150	200	300
G3C	G3SS	G3	500 x 1280	450	271	302	427	200	300	400
G4C	G4SS	G4	600 x 1280	550	305	339	480	300	300	400

*Other surface finishes see page 79.

SORANO

SORANO



SORANO SNXLC - chrome
1210 x 480 mm



SORANO SN6C - chrome
600 x 1630 mm

Location of "attachment" to the wall: ↓ 80 mm ↑ 80 mm

Central heating: YES

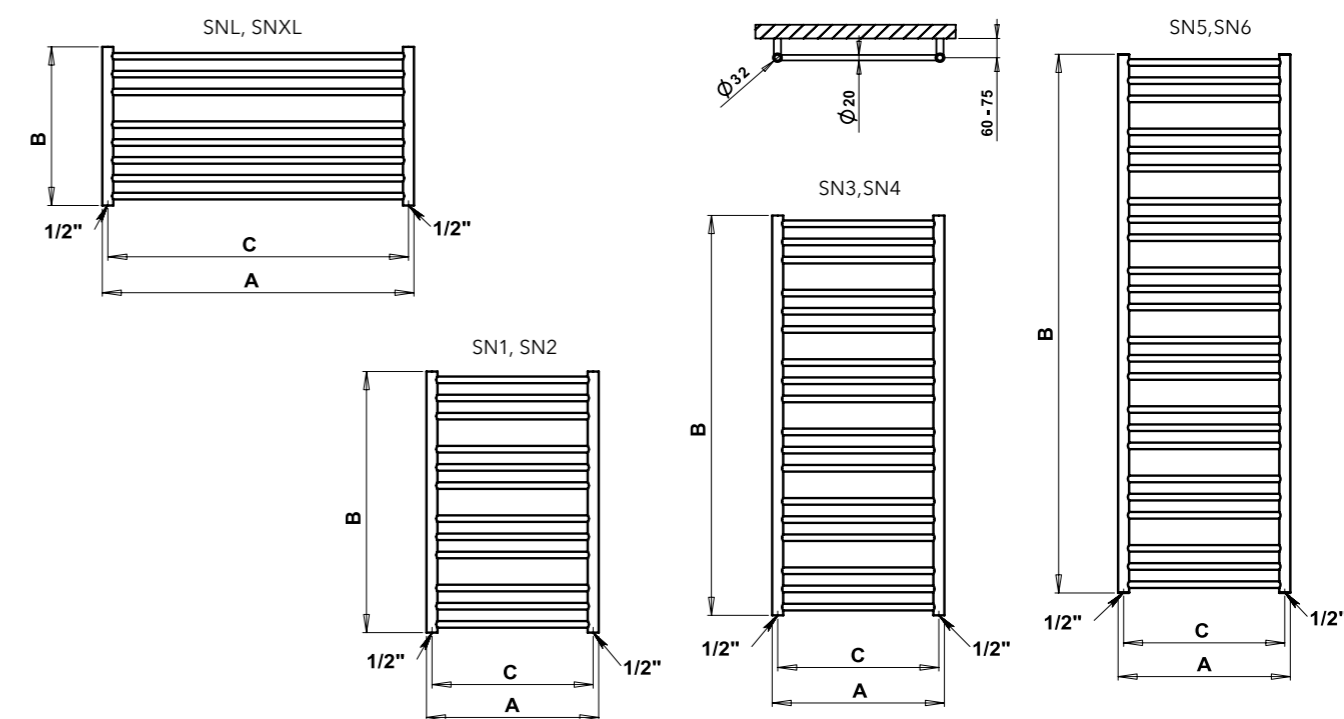
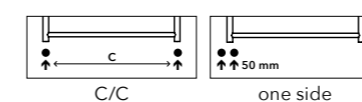
Combination heating: YES

Electric heating: YES

Horizontal pipes: Ø 20 mm

Vertical pipes: Ø 32 mm

Connection options:



Chrome	Brushed stainless steel	Other surface finish (coated)*	Width (A) x Height (B) [mm]	Connection span (C) [mm]	HO [W] Δt 20°C 75/65°C			Max. recommended electric heating element [W]		
					Chrome	Stainless steel	Coated	Chrome	Stainless steel	Coated
SN1C	SN1SS	SN1	500 x 790	468	199	221	314	150	200	300
SN2C	SN2SS	SN2	600 x 790	568	229	255	361	200	200	300
SN3C	SN3SS	SN3	500 x 1210	468	301	334	474	300	300	400
SN4C	SN4SS	SN4	600 x 1210	568	346	385	545	300	300	500
SN5C	SN5SS	SN5	500 x 1630	468	402	447	634	400	400	600
SN6C	SN6SS	SN6	600 x 1630	568	463	514	729	400	500	600
Horizontal version										
SNLC	SNLSS	SNL	905 x 480	873	211	234	332	-	-	-
SNXLC	SNXLSS	SNXL	1210 x 480	1175	272	302	429	-	-	-

*Other surface finishes see page 79.

L and XL versions are not recommended for heating only with electric heating element.

SORANO FRAME



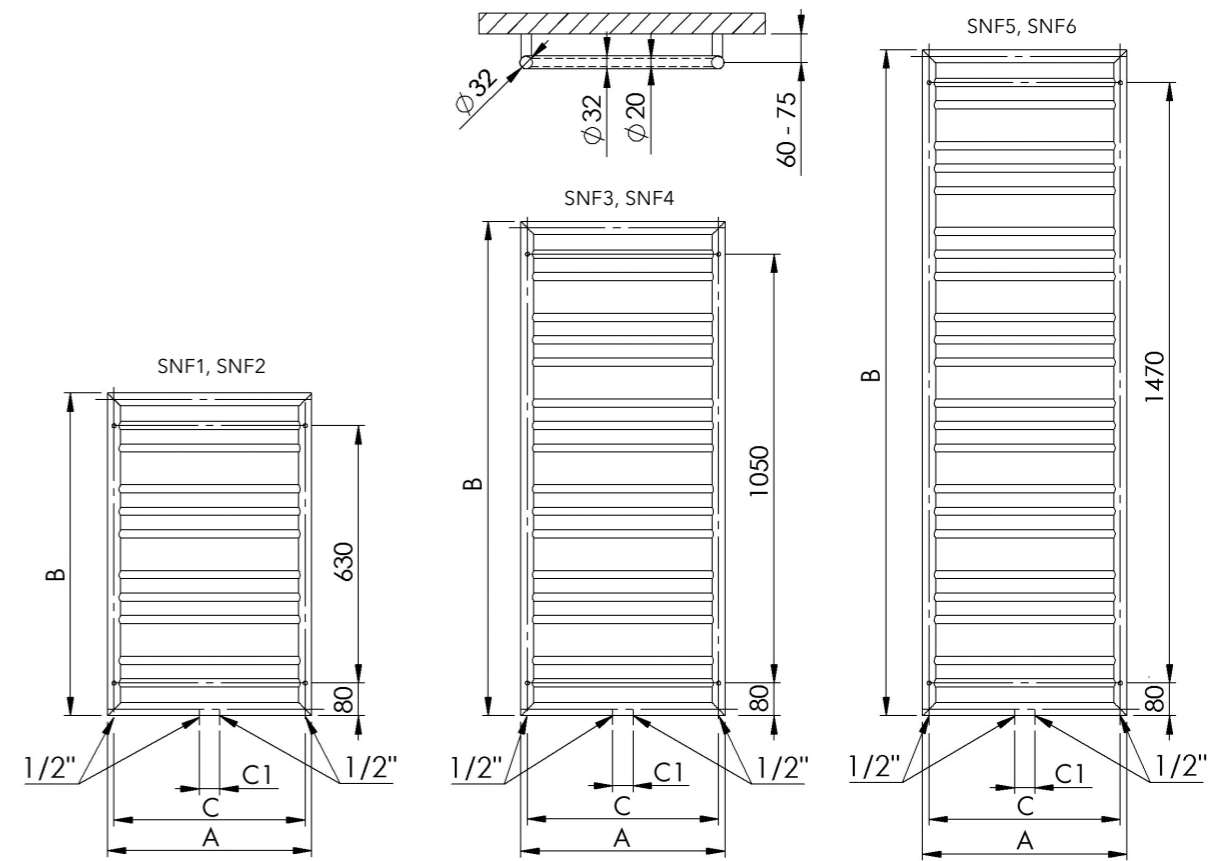
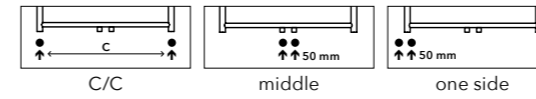
SORANO SNF4A
anthracite coated
600 x 1210 mm



SORANO FRAME

Location of "attachment" to the wall: ↓ 80 mm ↑ 80 mm
 Central heating: YES
 Combination heating: YES
 Electric heating: YES
 Horizontal pipes: Ø 20 mm
 Vertical pipes: Ø 32 mm

Connection options:



Chrome	Other surface finish (coated)*	Width (A) x Height (B) [mm]	Connection span (C, C1) [mm]	HO [W] Δt 20°C 75/65°C		Max. recommended electric heating element [W]	
				Chrome	Coated	Chrome	Coated
SNF1C	SNF1	500 x 790	468/50	217	342	200	300
SNF2C	SNF2	600 x 790	568/50	250	394	200	300
SNF3C	SNF3	500 x 1210	468/50	318	502	300	500
SNF4C	SNF4	600 x 1210	568/50	367	578	300	500
SNF5C	SNF5	500 x 1630	468/50	420	661	400	600
SNF6C	SNF6	600 x 1630	568/50	484	761	400	600

*Other surface finishes see page 79.



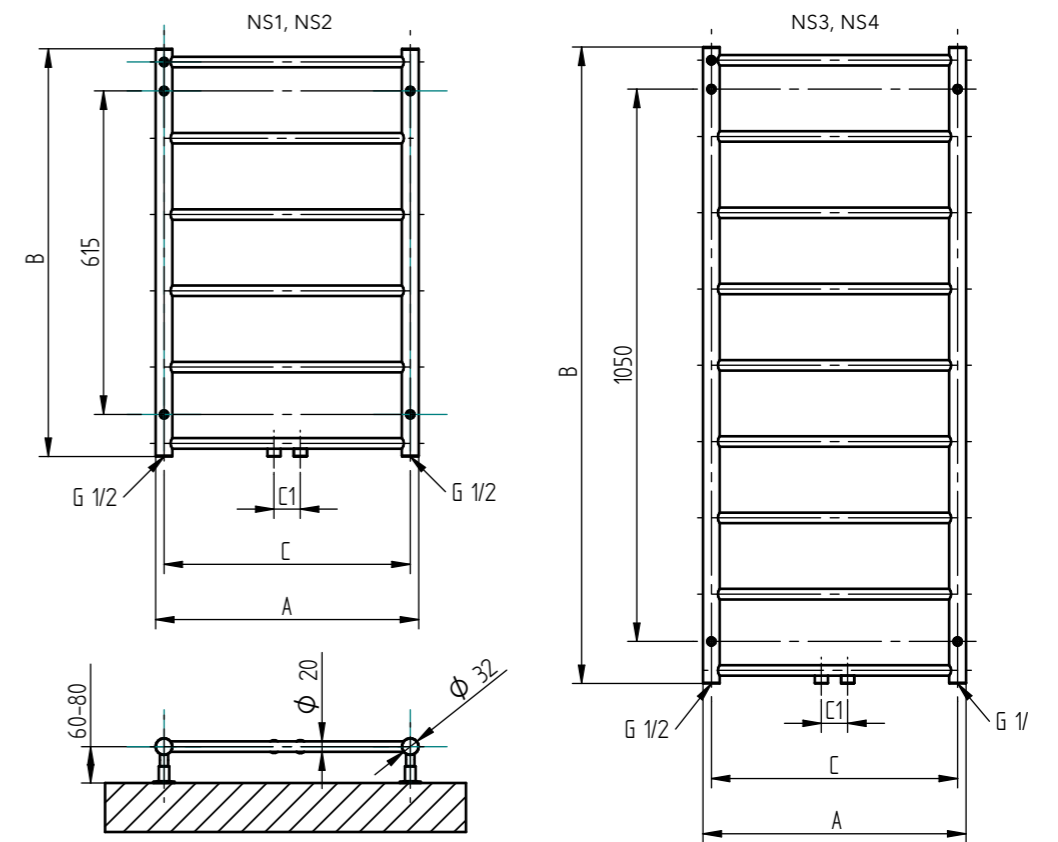
NAAS NS3B-M
black coated
500x 1210 mm

NAAS NS3W-M
white coated
500 x 1210 mm

NAAS NS4C-M
chrome
600 x 1210 mm

Location of "attachment" to the wall: ↓ 80 mm ↑ 80 mm
 Central heating: YES
 Combination heating: YES
 Electric heating: YES
 Horizontal pipes: Ø 20 mm
 Vertical pipes: Ø 32 mm

Connection options:



Chrome	Other surface finish (coated)*	Width (A) x Height (B) [mm]	Connection span (C, C1) [mm]	HO [W] Δt 20°C 75/65°C		Max. recommended electric heating element [W]	
				Chrome	Coated	Chrome	Coated
NS1C-M	NS1-M	500 x 775	468/50	130	205	120	200
NS2C-M	NS2-M	600 x 775	568/50	145	229	120	200
NS3C-M	NS3-M	500 x 1210	468/50	199	314	150	300
NS4C-M	NS4-M	600 x 1210	568/50	222	349	200	300

*Other surface finishes see page 79.



LUXOR LX8B
black coated
602 x 1700 mm



LUXOR LX3W
white coated
702 x 1200 mm

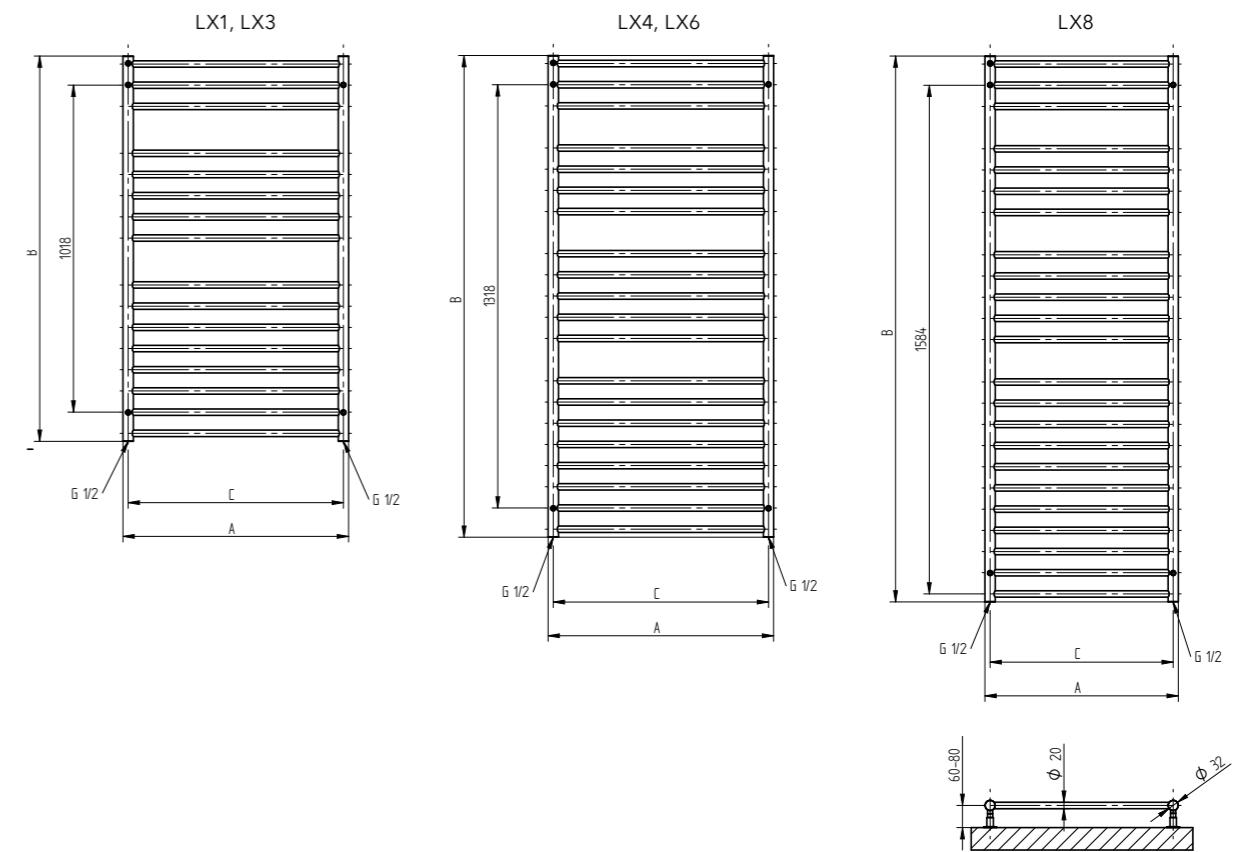
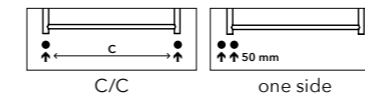


LUXOR LX1SS
brushed stainless steel
402 x 1200 mm



Location of "attachment" to the wall: ↓ 91 mm ↑ 91 mm
 Central heating: YES
 Combination heating: YES
 Electric heating: YES
 Horizontal pipes: Ø 20 mm
 Vertical pipes: Ø 32 mm

Connection options:



Chrom	Brushed stainless steel	Other surface finish (coated)*	Width (A) x Height (B) [mm]	Connection span (C) [mm]	HO [W] Δt 20°C 75/65°C			Max. recommended electric heating element [W]		
					Chrome	Stainless steel	Coated	Chrome	Stainless steel	Coated
LX1C	LX1SS	LX1	402 x 1200	370	264	294	416	200	200	400
LX3C	LX3SS	LX3	702 x 1200	670	385	428	606	300	400	500
LX4C	LX4SS	LX4	402 x 1500	370	330	367	520	300	300	500
LX6C	LX6SS	LX6	702 x 1500	670	481	535	758	400	500	600
LX8C	LX8SS	LX8	602 x 1700	570	493	548	776	400	500	600

*Other surface finishes see page 79.



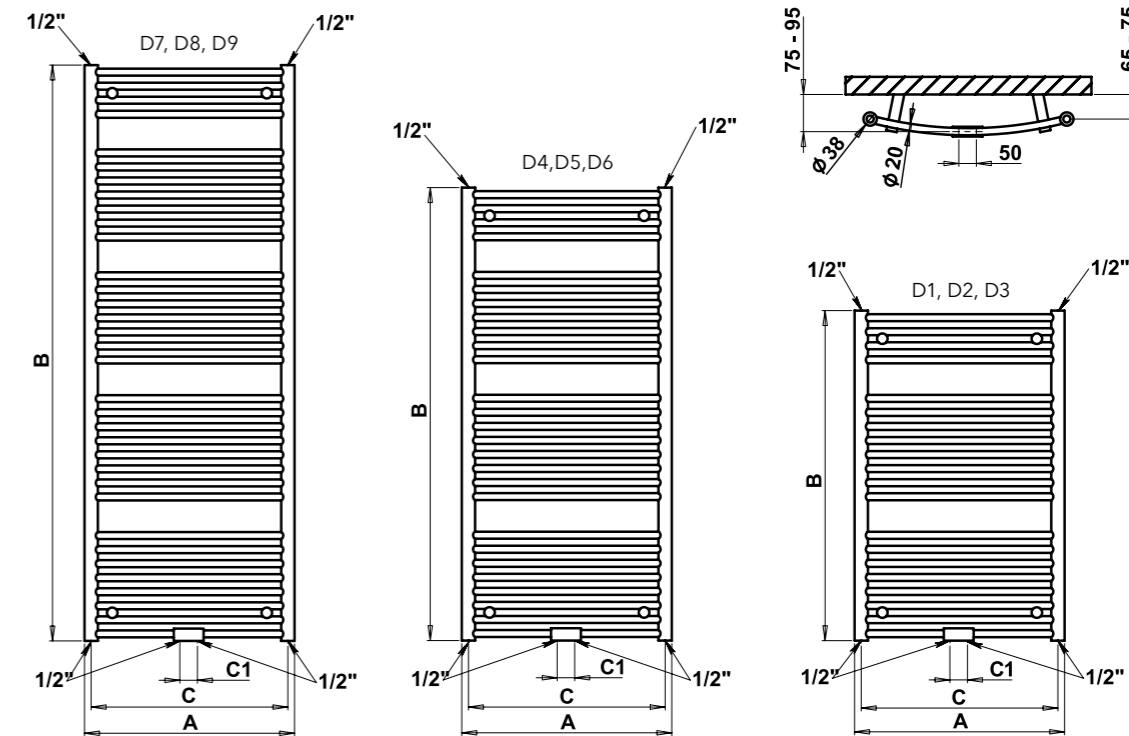
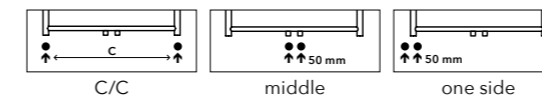
DANBY D5C - chrome
600 x 1290 mm



DANBY D7W - white coated
450 x 1640 mm

- Central heating: YES
- Combination heating: YES
- Electric heating: YES

Connection options:



Chrom	Brushed stainless steel	Other surface finish (coated)*	Width (A) x Height (B) [mm]	Connection span (C, C1) [mm]	HO [W] Δt 20°C 75/65°C			Max. recommended electric heating element [W]		
					Chrome	Stainless steel	Coated	Chrome	Stainless steel	Coated
D1C	D1SS	D1	450 x 940	415/50	277	308	436	200	300	400
D2C	D2SS	D2	600 x 940	560/50	363	404	572	300	400	500
D3C	D3SS	D3	750 x 940	712/50	438	487	690	400	400	600
D4C	D4SS	D4	450 x 1290	415/50	394	438	620	300	400	500
D5C	D5SS	D5	600 x 1290	560/50	492	547	775	400	500	600
D6C	D6SS	D6	750 x 1290	712/50	593	659	934	500	600	800
D7C	D7SS	D7	450 x 1640	415/50	497	553	783	400	500	600
D8C	D8SS	D8	600 x 1640	560/50	621	691	978	500	600	800
D9C	D9SS	D9	750 x 1640	712/50	751	834	1182	600	800	800

*Other surface finishes see page 79.

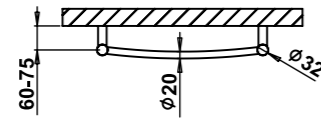
LAVENO



LAVENO LN3C - chrome
500 x 1210 mm



CURVED VARIANT



Chrom	Brushed stainless steel	Other surface finish (coated)*	Width (A) x Height (B) [mm]	Connection span (C) [mm]	HO [W] Δt 20°C 75/65°C			Max. recommended electric heating element [W]		
					Chrome	Stainless steel	Coated	Chrome	Stainless steel	Coated
LN1C	LN1SS	LN1	500 x 790	468	215	239	338	200	200	300
LN2C	LN2SS	LN2	600 x 790	568	290	323	457	200	300	400
LN3C	LN3SS	LN3	500 x 1210	468	279	310	439	200	300	400
LN4C	LN4SS	LN4	600 x 1210	568	370	411	582	300	400	500

*Other surface finishes see page 79.



ELECTRIC DRYERS



OLE OL1B
black coated
91 x 1708 mm



OLE OL1SS
polished stainless steel
91 x 1708 mm



TIMER function



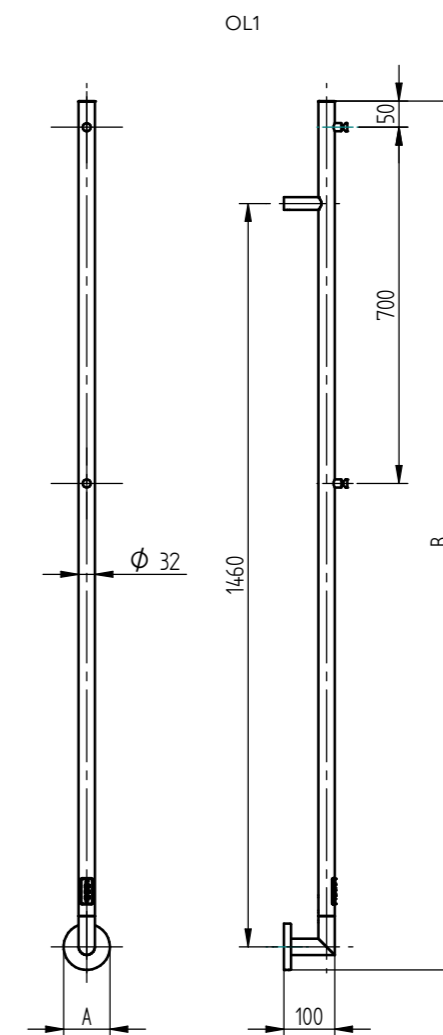
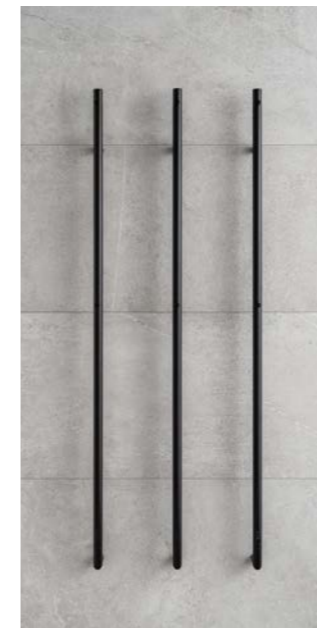
Function 2 h - the dryer will heat for 2 hours, then it will automatically turn off.

Function 4 h - the dryer will heat for 4 hours, then it will automatically turn off.

ON/OFF

The green LED indicates that the dryer is ON.

In case of installing three electric dryers side by side / above each other, it is possible to buy a set with a hidden built-in frame for connection. More information can be found on our website www.pmh-co.cz



Black coated	Polished stainless steel	Width (A) x Height (B) [mm]	Hidden connection	Weight [kg]	HO [W]	Degree of protection
OL1B	OL1SS	91 x 1708	✓	1,5	24	IP44

LISA

LISA LS1SS
polished stainless steel
91 x 1708 mm



LISA LS1SS
polished stainless steel
91 x 1708 mm



LISA LS1B
black coated
91 x 1708 mm

LISA

TIMER function

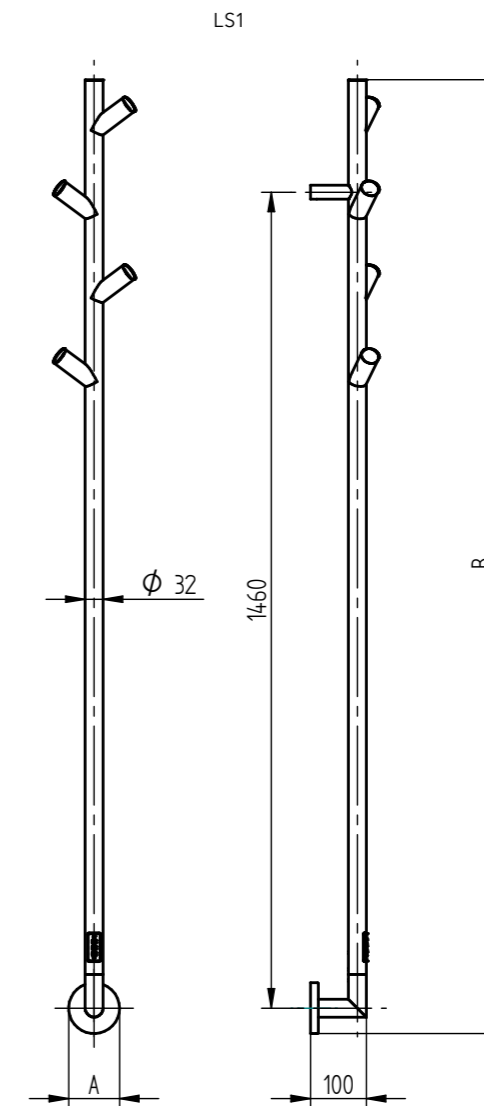


Function 2 h - the dryer will heat for 2 hours, then it will automatically turn off.

Function 4 h - the dryer will heat for 4 hours, then it will automatically turn off.

ON/OFF

The green LED indicates that the dryer is ON.



Black coated	Polished stainless steel	Width (A) x Height (B) [mm]	Hidden connection	Weight [kg]	HO [W]	Degree of protection
LS1B	LS1SS	91 x 1708	✓	1,8	24	IP44

MAIA

MAIA MA1B - LK
black coated
600 x 1700 - 1770 mm



MAIA

TIMER function

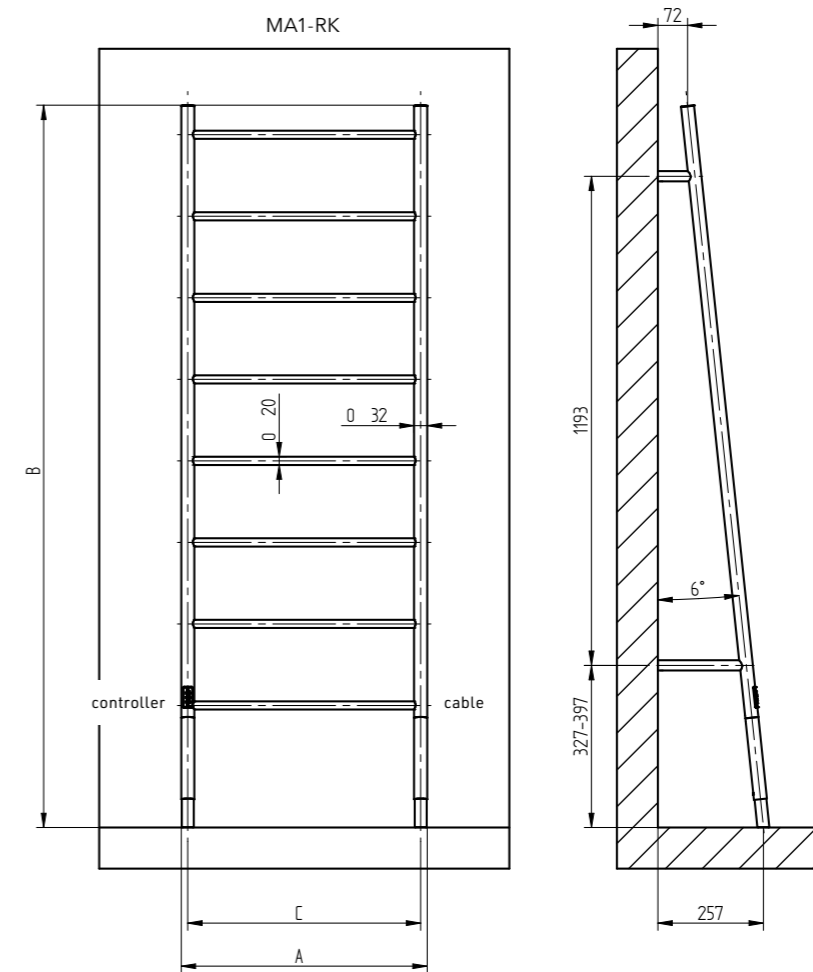


Function 2 h - the dryer will heat for 2 hours, then it will automatically turn off.

Function 4 h - the dryer will heat for 4 hours, then it will automatically turn off.

ON/OFF

The green LED indicates that the dryer is ON.



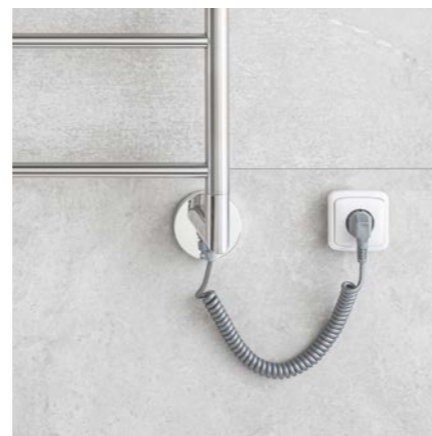
MAIA	Black coated	Polished stainless steel	Width (A) x Height (B) [mm]	C	With cable	Weight [kg]	HO [W]	Degree of protection
right	MA1B-RK	MA1SS-RK	600 x 1700 - 1770	568	✓	6	93	IP44
left	MA1B-LK	MA1SS-LK	600 x 1700 - 1770	568	✓	6	93	IP44

Right / left variants depending on the side of the electrical cable. If the electrical cable is on the right, the controller is on the left = right-hand variant MA1-RK, and conversely.



BRITTA BR1B-L
black coated
859 x 712 mm

BRITTA BR1SS-RK
polished stainless steel
859 x 712 mm



TIMER function

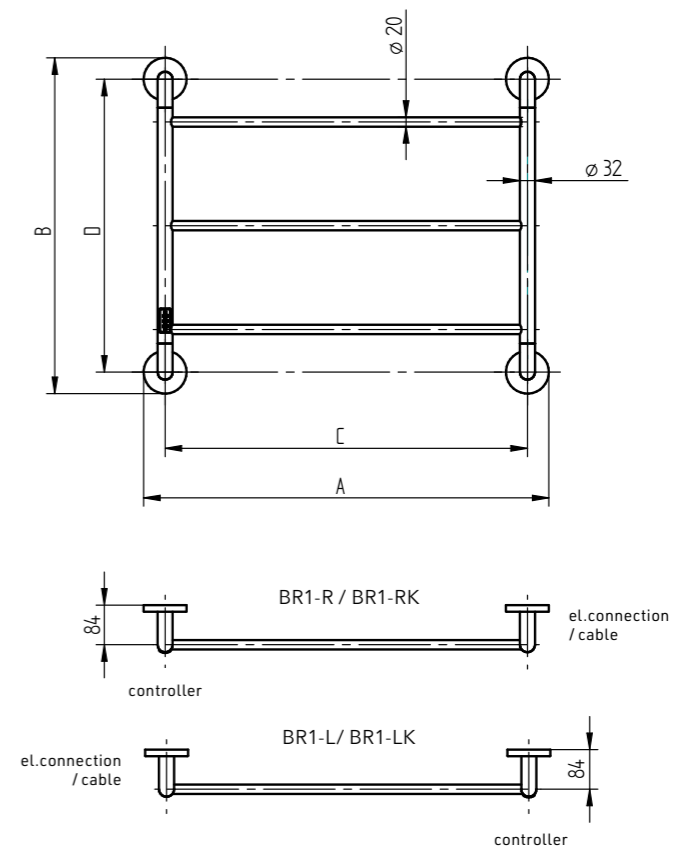


Function 2 h - the dryer will heat for 2 hours, then it will automatically turn off.

Function 4 h - the dryer will heat for 4 hours, then it will automatically turn off.

ON/OFF

The green LED indicates that the dryer is ON.



BRITTA	Black coated	Polished stainless steel	Width (A) x Height (B) [mm]	C	Hidden connection	With cable	Weight [kg]	HO [W]	Degree of protection
right	BR1B-R	BR1SS-R	859 x 712	768	✓		2,9	42	IP44
left	BR1B-L	BR1SS-L	859 x 712	768	✓		2,9	42	IP44
right	BR1B-RK	BR1SS-RK	859 x 712	768		✓	2,9	42	IP44
left	BR1B-LK	BR1SS-LK	859 x 712	768		✓	2,9	42	IP44

Right / left variants depending on the side of the electrical connection / cable. If the electrical connection / cable is on the right, the controller is on the left = right-hand variant BR1-R/BR1-RK, and conversely.



INGA IN1B-L
black coated
859 x 91 mm

INGA IN1SS - L
polished stainless steel
859 x 91 mm



TIMER function



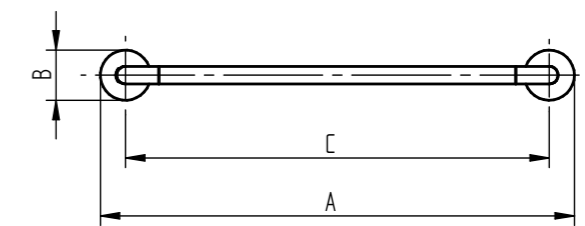
Function 2 h - the dryer will heat for 2 hours, then it will automatically turn off.

Function 4 h - the dryer will heat for 4 hours, then it will automatically turn off.

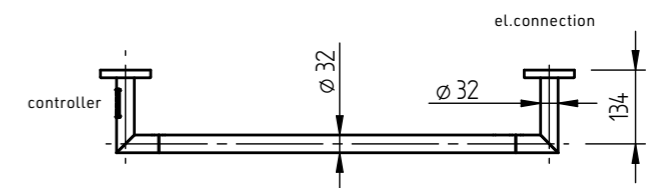
ON/OFF

The green LED indicates that the dryer is ON.

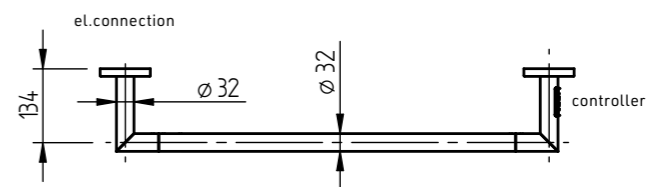
In case of installing three electric dryers side by side / above each other, it is possible to buy a set with a hidden built-in frame for connection. More information can be found on our website www.pmh-co.cz



IN1-R

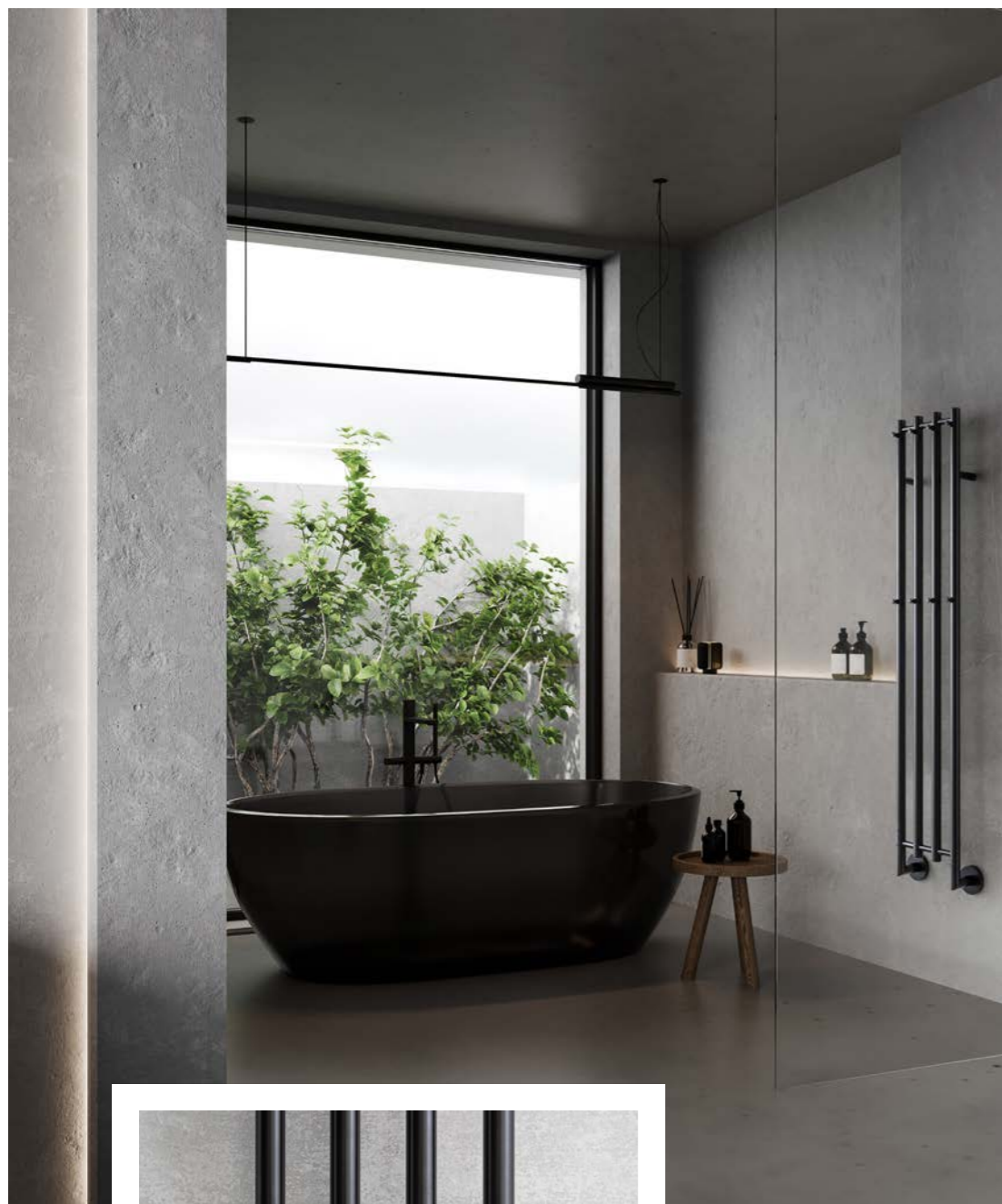


IN1-L

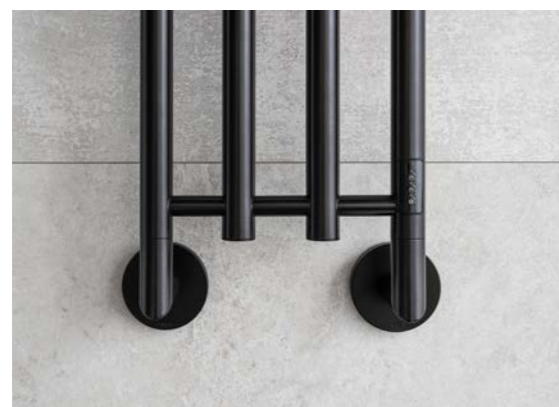


INGA	Black coated	Polished stainless steel	Width (A) x Height (B) [mm]	C	Hidden connection	Weight [kg]	HO [W]	Degree of protection
right	IN1B-R	IN1SS-R	859 x 91	768	✓	1,2	17	IP44
left	IN1B-L	IN1SS-L	859 x 91	768	✓	1,2	17	IP44

Right / left variants depending on the side of the electrical connection. If the electrical connection is on the right, the controller is on the left = right-hand variant IN1-R, and conversely.



MONA MO1SS-LK
polished stainless steel
331 x 1533 mm



MONA MO1B-L
black coated
331 x 1533 mm



TIMER function

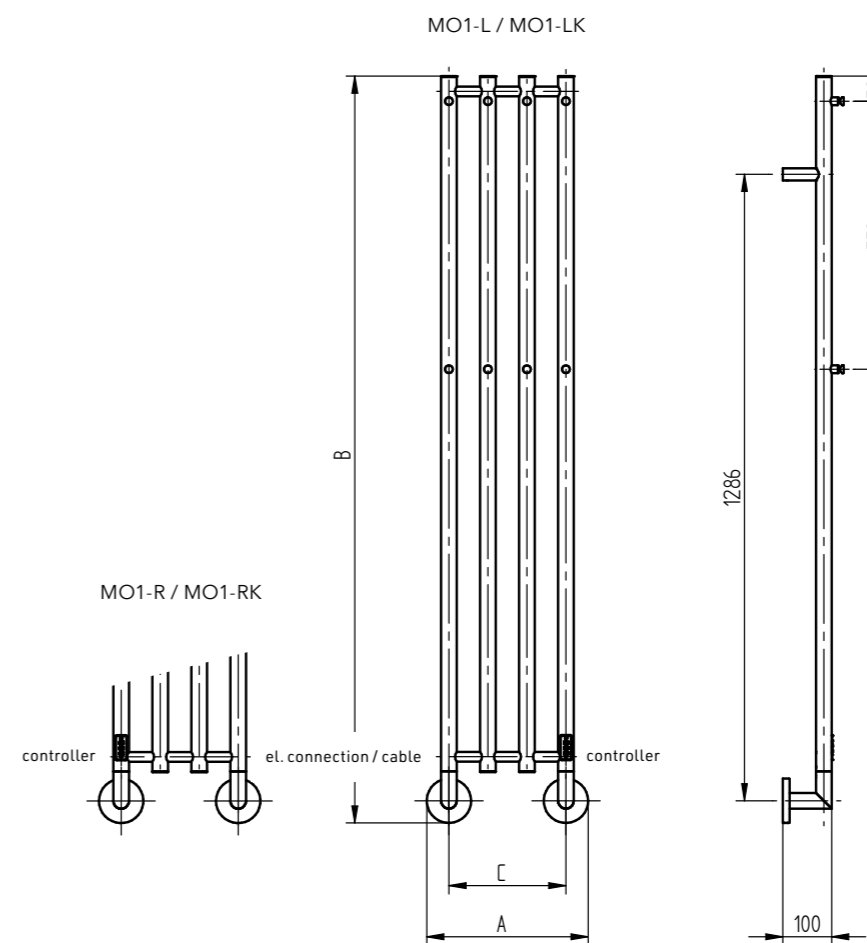


Function 2 h - the dryer will heat for 2 hours, then it will automatically turn off.

Function 4 h - the dryer will heat for 4 hours, then it will automatically turn off.

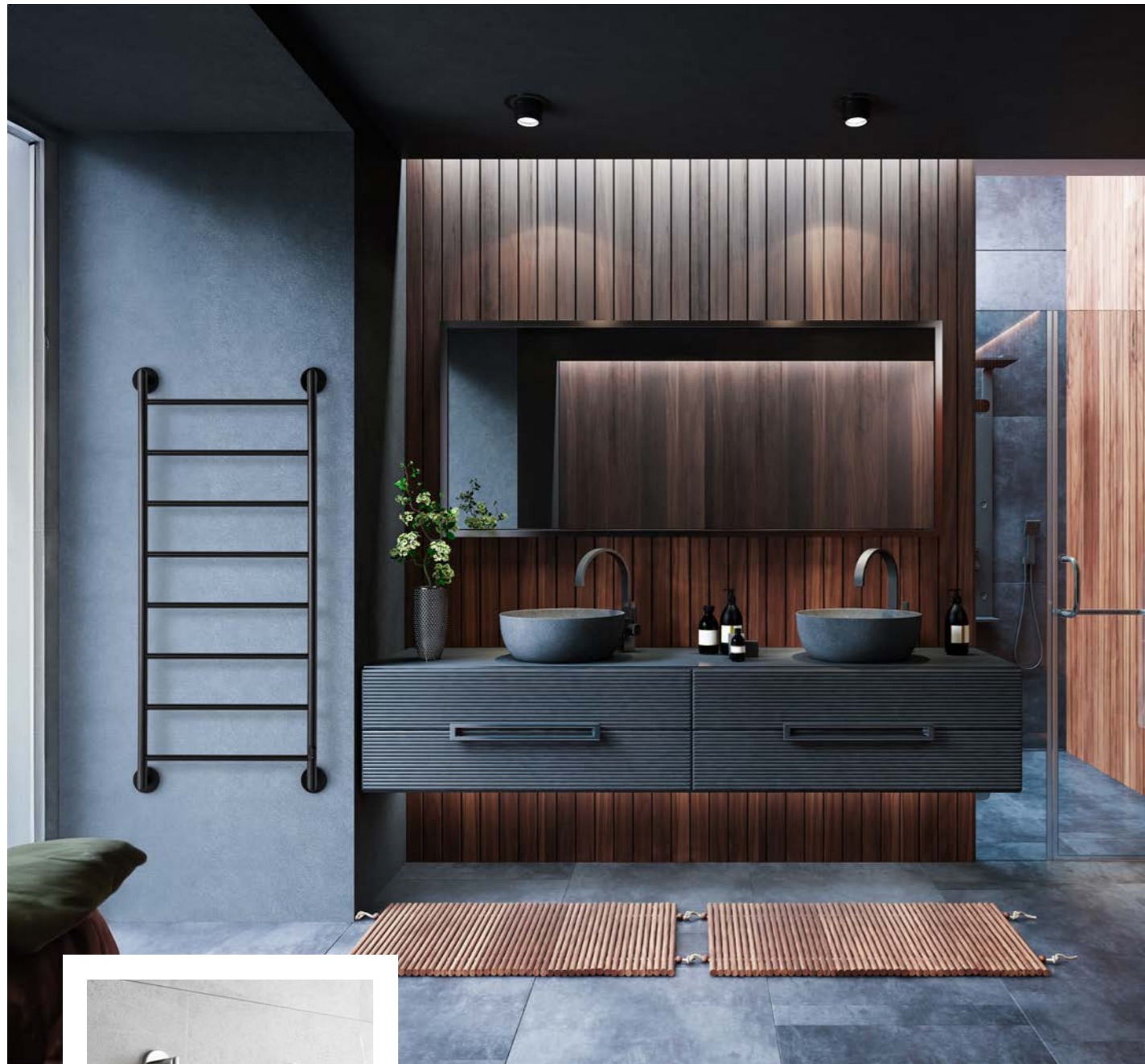
ON/OFF

The green LED indicates that the dryer is ON.



MONA	Black coated	Polished stainless steel	Width (A) x Height (B) [mm]	C	Hidden connection	With cable	Weight [kg]	HO [W]	Degree of protection
right	MO1B-R	MO1SS-R	331 x 1533	240	✓		5,6	93	IP44
left	MO1B-L	MO1SS-L	331 x 1533	240	✓		5,6	93	IP44
right	MO1B-RK	MO1SS-RK	331 x 1533	240		✓	5,6	93	IP44
left	MO1B-LK	MO1SS-LK	331 x 1533	240		✓	5,6	93	IP44

Right / left variants depending on the side of the electrical connection/ cable. If the electrical connection/ cable is on the right, the controller is on the left = right-hand variant MO1-R / MO1-RK, and conversely.



NIKLAS NI1SS-L
polished stainless steel
657 x 952 mm



detail el.cable



TIMER function

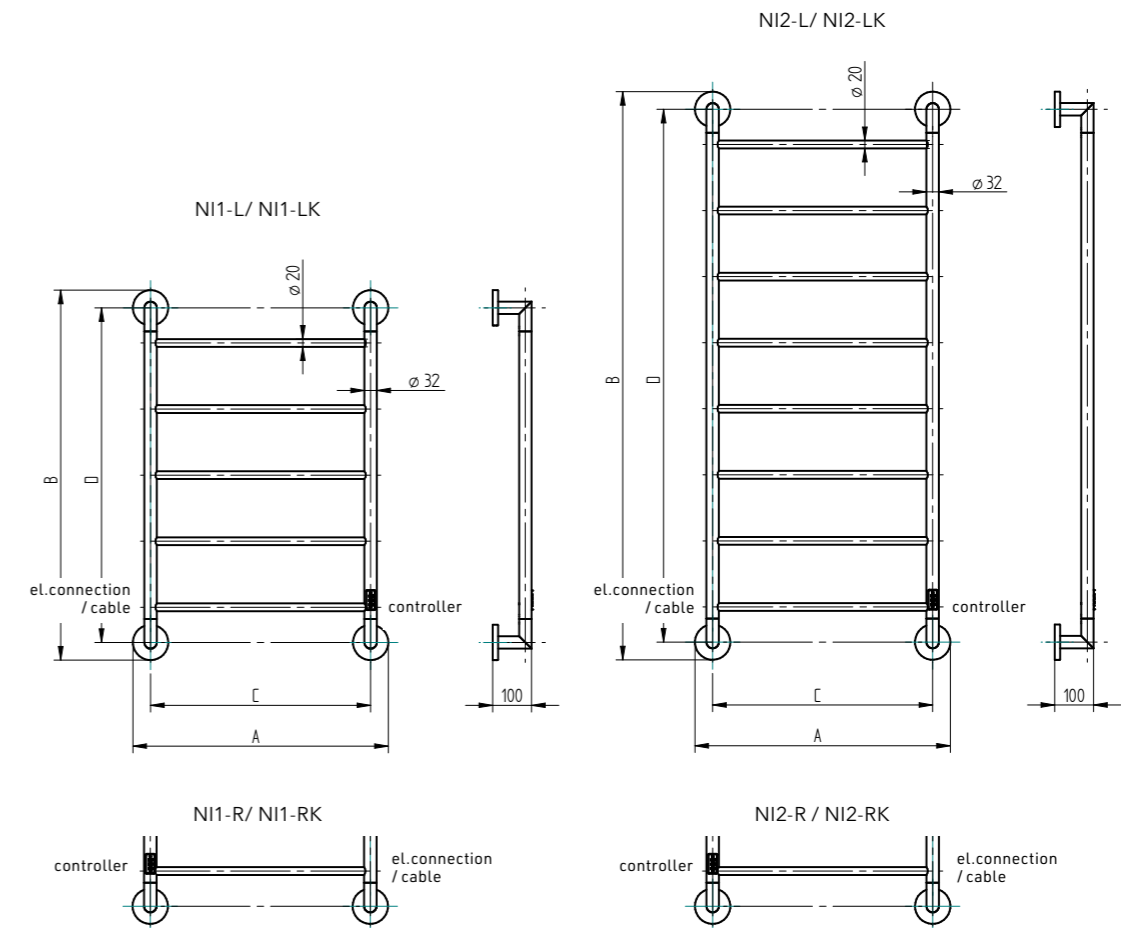


Function 2 h - the dryer will heat for 2 hours, then it will automatically turn off.

Function 4 h - the dryer will heat for 4 hours, then it will automatically turn off.

ON/OFF

The green LED indicates that the dryer is ON.



NIKLAS	Black coated	Polished stainless steel	Width (A) x Height (B) [mm]	C	Hidden connection	With cable	Weight [kg]	HO [W]	Degree of protection
right	NI1B-R	NI1SS-R	657 x 952	566	✓		3,7	54	IP44
left	NI1B-L	NI1SS-L	657 x 952	566	✓		3,7	54	IP44
right	NI1B-RK	NI1SS-RK	657 x 952	566		✓	3,7	54	IP44
left	NI1B-LK	NI1SS-LK	657 x 952	566		✓	3,7	54	IP44
right	NI2B-R	NI2SS-R	657 x 1462	566	✓		5,3	93	IP44
left	NI2B-L	NI2SS-L	657 x 1462	566	✓		5,3	93	IP44
right	NI2B-RK	NI2SS-RK	657 x 1462	566		✓	5,3	93	IP44
left	NI2B-LK	NI2SS-LK	657 x 1462	566		✓	5,3	93	IP44

Right / left variants depending on the side of the electrical connection/ cable. If the electrical connection/ cable is on the right, the controller is on the left = right-hand variant NI1B-R / NI1B-RK, and conversely.

KARES



KARES KAK2C
chrome
90 × 1500

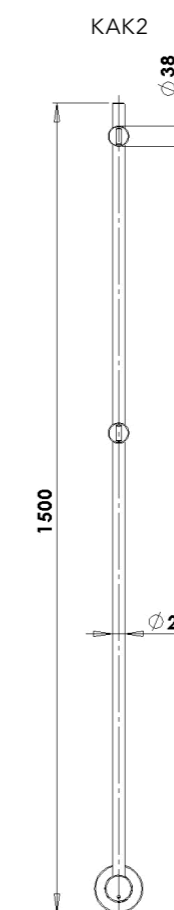
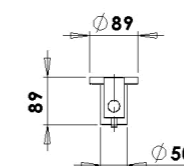


KARES KAK2BA
black coated
90 × 1500



KARES

When connecting via an electrical cable, the cable must be ordered separately.
At the bottom is ON/OFF signalization.



Chrome	Black matte	Width (A) x Height (B) [mm]	Weight [kg]	HO [W]	Degree of protection
KAK2C	KAK2BA	90 × 1500	2,8	35	IP54
EK	Electrical cable, white - 1,5 m				

VENUS



VENUS VE3SS
polished stainless steel
675 × 940 mm



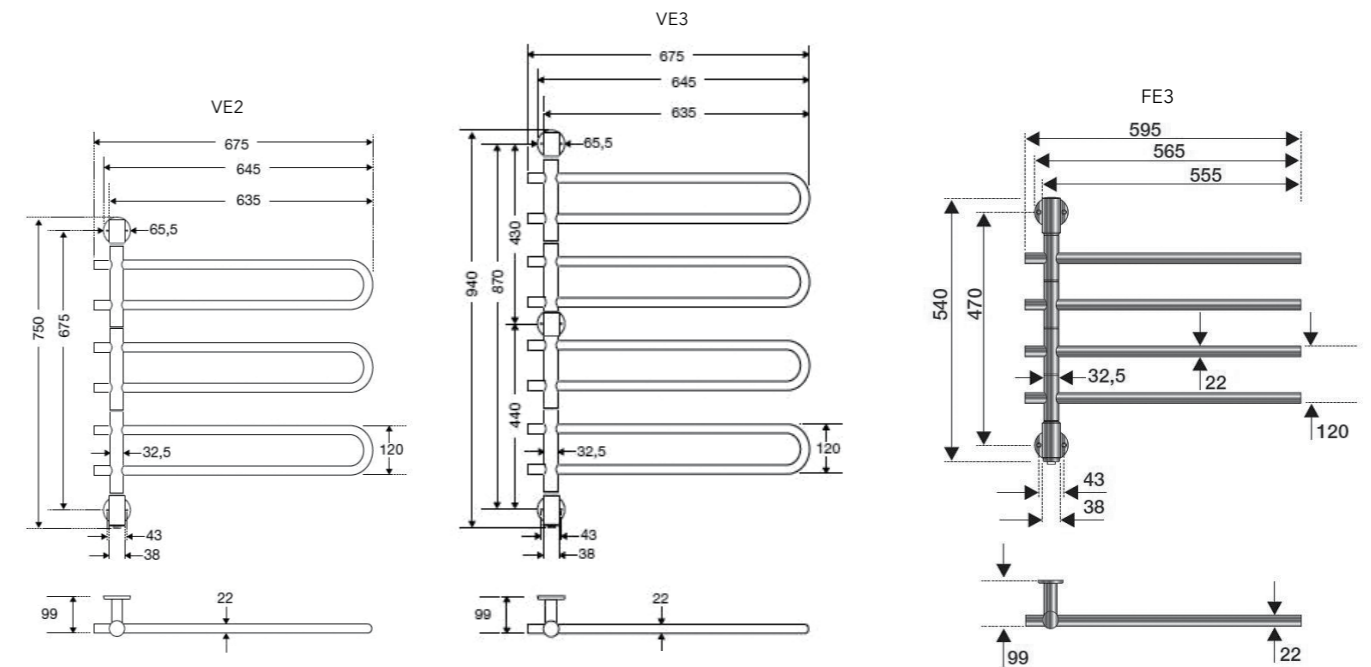
FENIX FE3SS
polished stainless steel
595 × 540 mm

VENUS

FENIX

FENIX

Venus/Fenix are flexible electric dryer as its horizontal tubes can be individually rotated by 180 degrees. ON/OFF button is located at the bottom. Can be connected with a cable or hidden connection.



Polished stainless steel	Width (A) x Height (B) [mm]	Weight [kg]	HO [W]	Degree of protection
VE2SS	675 × 750	2,3	54	IP44
VE3SS	675 × 940	3,1	72	IP44
FE3SS	595 × 540	1,6	40	IP44

EK	Electrical cable, white - 1,5m
----	--------------------------------

When connecting via an electrical cable, the cable must be ordered separately.



ACCESSORIES VALVES

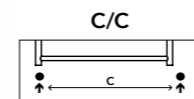
VALVES

HEATING WITH ELECTRIC HEATING ELEMENT or a CENTRAL HEATING SYSTEM ONLY

For combination heating with electric heating element, it is necessary to order: **radiator + suitable radiator valve + any heating element according to the recommended maximum HO or lower** + recommend compression fittings according to the valve.

For heating without extra electrical heating element, it is necessary to order: **radiator + suitable radiator valve** + recommend compression fittings according to the valve.

OUTLETS
Explanation:  = flow  = return

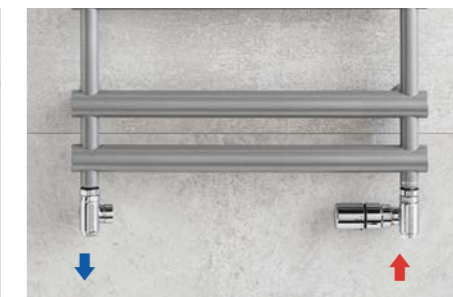


Set COMBI is designed for connection to the bathroom radiator outlet with full pitch radiators. Electrical heating element can be installed on either side of the radiator directly through the valve. Based on the location of the thermostat the set is determined as either right or left variant. It is a thermostatic valve. For this, we recommend using compression fittings Combi.

Type COMBI	Order code
left-chrome	COMBI-LC-EK
right-chrome	COMBI-RC-EK
left-stainless steel	COMBI-LSS-EK
right-stainless steel	COMBI-RSS-EK
left-white	COMBI-LW-EK
right-white	COMBI-RW-EK



COMBI



COMBI-RC-EK

Set INTER is designed for connection to the bathroom radiator outlet with full pitch radiators. Electrical heating element can be installed on either side of the radiator directly through the valve. Based on the location of the thermostat the set is determined as either right or left variant. It is a thermostatic valve. For this, we recommend using compression fittings Inter.

Type INTER	Order code
left-black	INTER-LB
right-black	INTER-RB
left-chrome	INTER-LC
right-chrome	INTER-RC
left-white	INTER-LW
right-white	INTER-RW
left-stainless steel	INTER-LSS
right-stainless steel	INTER-RSS



INTER



INTER-RC

Set CUBE-COM is intended for connection to the bathroom radiator outlet with full pitch connection radiators. Electrical heating element can be installed on either side directly through the valve. Set consists of the control head and open/closed function. This is a manual valve. We recommend using compression fittings CUBE-COM.

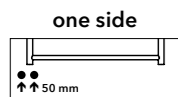
Type CUBE-COM	Order code
chrom	CUBE-COM



CUBE-COM



CUBE-COM



Valve ONE is designed for connecting the bathroom radiators with one connection point. Electric heating element can be installed on free side of the radiator. It is a thermostatic valve. **We recommend using compression fittings ONE.**

Type ONE	Order code
chrome - left	ONE-LC-EK
chrome - right	ONE-RC-EK
stainless steel - left	ONE-LSS-EK
stainless steel - right	ONE-RSS-EK
white - left	ONE-LW-EK
white - right	ONE-RW-EK

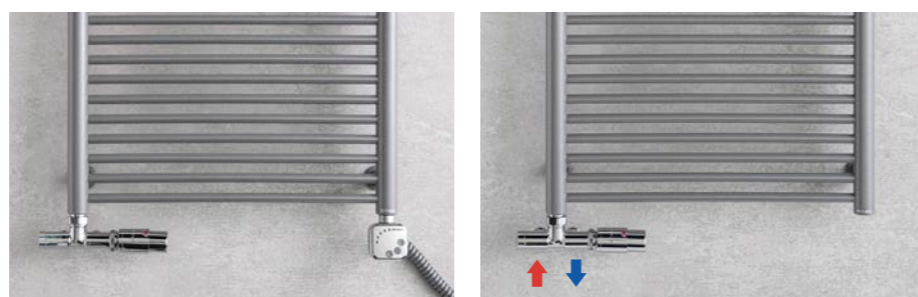


ONE

ONE-RC-EK

Valve UNIKO is designed for connecting the bathroom radiators in one connection point with span 50 mm. The electric heating element can be installed on the free side of the radiator. **We recommend using compression fittings UNIKO.**

Type UNIKO	Order code
left-black	UNIKO-LB-EK
right-black	UNIKO-RB-EK
left-chrome	UNIKO-LC-EK
right-chrome	UNIKO-RC-EK
left-white	UNIKO-LW-EK
right-white	UNIKO-RW-EK
left-stainless steel	UNIKO-LSS-EK
right-stainless steel	UNIKO-RSS-EK



UNIKO

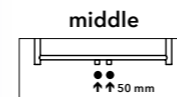
UNIKO-LC-EK



Valve Uniko - UNIKO-LC-EK



Valve ONE - ONE-RW-EK



Valve CUBE-T is designed for connection to bathroom radiators with middle connection 50 mm. Electric heating element can be installed on either side of the radiator, not through valve. **We recommend compression fittings CUBE-T.**

Type CUBE-T	Order code
chrome	CUBE-T-C



CUBE

CUBE-T-C

Valve TWIN is designed for connection to bathroom radiators with a close connection 50 mm center connection. Electric heating element can be installed on either side of the radiator, not through the valve. It is a thermostatic valve. **We recommend using compression fittings TWIN.**

Type TWIN	Order code
chrome	TWIN-C-EK
stainless steel	TWIN-SS-EK
white	TWIN-W-EK



TWIN

TWIN-C-EK

Valve TWIN-COMBI – the electric heating element can be installed in the valve. This valve is designed for Kronos, Apollo, in combination with electric heating element. **We recommend using TWIN compression fittings.**

Type TWIN-COMBI	Order code
chrom	TWIN-COM-C-EK
white	TWIN-COM-W-EK



TWIN-COM-C-EK

TWIN-COM-C-EK

Valve UNIVERSAL is designed for connection to radiators with a central connection with pitch of 50mm. The set is suitable for fittings with an internal thread of G $\frac{1}{2}$ " or G $\frac{3}{4}$ ". The valve can be positioned on the corner connection and to direct. The thermostat can be positioned either left or right. The actual location of the thermostat is determined by the location of the supply and return of the water system. The head is always fitted at the water inlet side. **We recommend using UNIVERSAL compression fittings.**

Type UNIVERSAL	Order code
chrome	UNI-C
white	UNI-W



UNI

UNI-C

Valve TERM is designed for connection to bathroom radiators with a close connection 50 mm. Electric heating element can be installed on either side of the radiator, not through the valve. It is a thermostatic valve. **We recommend using compression fittings Term.**

Type TERM	Order code
left-black	TERM-LB-EK
right-black	TERM-RB-EK
left-chrome	TERM-LC-EK
right-chrome	TERM-RC-EK
left-white	TERM-LW-EK
right-white	TERM-RW-EK
left-stainless steel	TERM-LSS-EK
right-stainless steel	TERM-RSS-EK



TERM

TERM-RC-EK

Valve DUO is designed for connecting to bathroom radiators with middle connection 50 mm. The valve can only be used for **direct connection (from the floor)**. **We recommend using compression fittings Duo.**

Typ DUO	Order code
black	DUO-B-EK
chrome	DUO-C-EK



DUO-C-EK

DUO-C-EK



Valve TERM - TERM-RW-EK

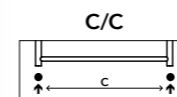


Valve TERM - TERM-LC-EK

VALVES

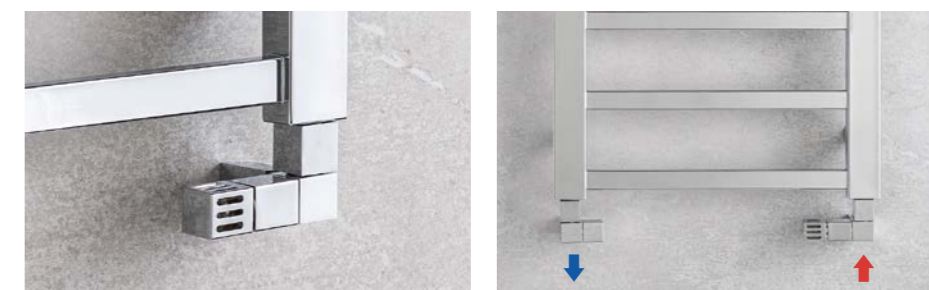
CENTRAL HEATING SYSTEMS

For this solution: **radiator + suitable radiator valve** + recommend compression fittings according to the valve should be used. When selecting the valve, it is necessary to take into account the connection points of the outlet and inlet pipes from the wall. For heating without electrical heating elements it is possible to use any of the valves offered on pages 67-69.



Set CUBE-CET is intended for connection to the bathroom radiator outlet of full width pitch radiators (side connections). This design kit consists of the control head and closable fittings. Depending on the location of the thermostat, the set is designated either right or left. **We recommend using compression fittings CUBE. The set also includes rosette coupling covers.**

Type CUBE-CET	Order code
left-chrome	CUBE-CET-L
right-chrome	CUBE-CET-R

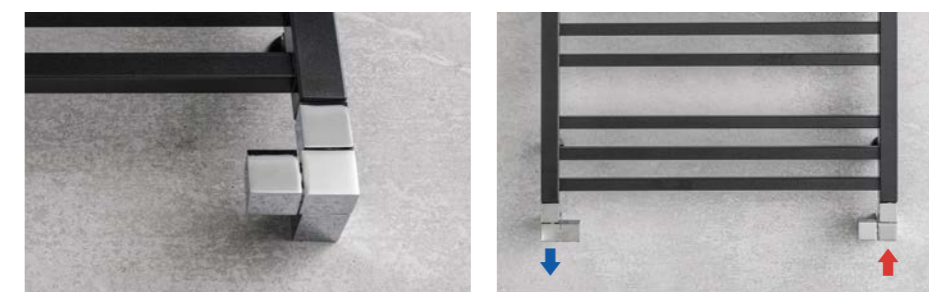


Thermostatic valve CUBE-CET

CUBE-CET-R

Set CUBE-CE is intended for connection to the bathroom radiator outlet of full width pitch radiators (side connections). This design kit consists of the control head and closable fitting. This is a manual valve and is universal (suitable for left or right sides). **We recommend using CUBE compression fittings. The set also includes rosette coupling covers.**

Type CUBE-CE	Order code
chrome	CUBE-CE
stainless steel	CUBE-CE-SS
white	CUBE-CE-W

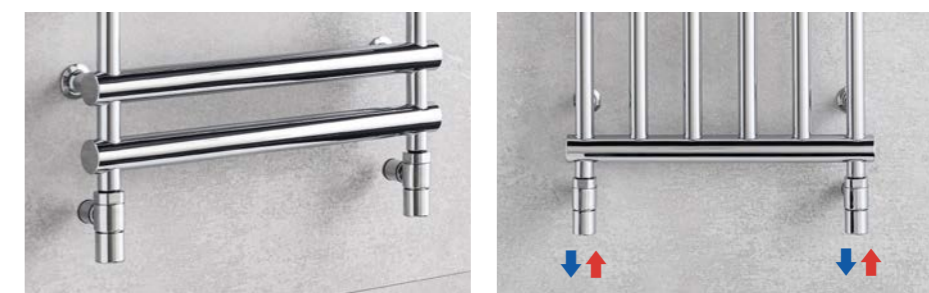


CUBE-CE

CUBE-CE

Set LINE is intended for connection to the bathroom radiator outlet of full width pitch radiators (side connections). This design kit consists of the control head and closable fitting. This is a manual valve. **We recommend using LINE compression fittings.**

Type LINE	Order code
chrome	LINE-C



LINE

LINE-C

COMPRESSION FITTINGS

Set VISION is designed for connection to the bathroom radiator outlet of full width pitch radiators (side connections). It consists of a control head and shut-off fitting. This is thermostatic valve. Supply is on the side of the thermostatic head. **We recommend using VISION compression fittings.**

Type VISION	Order code
left-black	VISION-LB
right-black	VISION-RB
left-chrome	VISION-LC
right-chrome	VISION-RC
left-white	VISION-LW
right-white	VISION-RW
left-stainless steel	VISION-LSS
right-stainless steel	VISION-RSS



Set EASY is designed for connection to the bathroom radiator outlet of full width pitch radiators (side connections). It consists of a control head and shut-off fitting. This is a manual valve. Supply is on the side of the adjustable part. **We recommend using EASY compression fittings.**

Type EASY	Order code
left-chrome	EASY-LC-EK
right-chrome	EASY-RC-EK
left-white	EASY-LW-EK
right-white	EASY-RW-EK
left-stainless steel	EASY-LSS-EK
right-stainless steel	EASY-RSS-EK



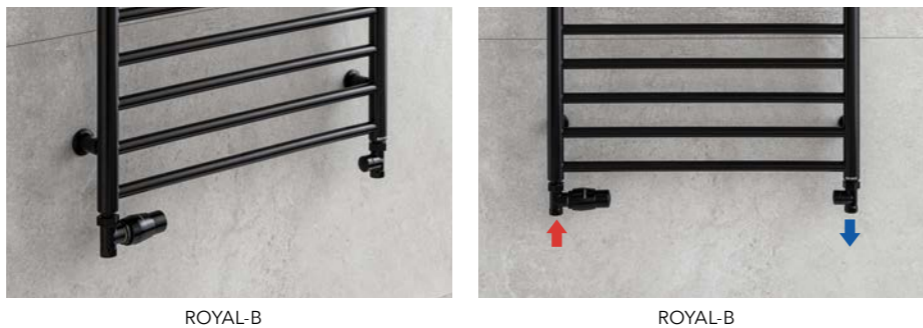
Sada QUATTRO is designed for connection to the bathroom radiator outlet of full width pitch radiators (side connections). It consists of a control head and shut-off fitting. This is a manual valve. **An inseparable part of the set is the compression fittings located directly on the valve.**

Type QUATTRO	Order code for copper Ø 15	Order code for alupex Ø 16 x 2
left-black-mat	QUATTRO-LB-CU	QUATTRO-LB-PEX
right-black-mat	QUATTRO-RB-CU	QUATTRO-RB-PEX
left-chrome	QUATTRO-LC-CU	QUATTRO-LC-PEX
right-chrome	QUATTRO-RC-CU	QUATTRO-RC-PEX
left-white	QUATTRO-LW-CU	QUATTRO-LW-PEX
right-white	QUATTRO-RW-CU	QUATTRO-RW-PEX
left-stainless steel	QUATTRO-LSS-CU	QUATTRO-LSS-PEX
right-stainless steel	QUATTRO-RSS-CU	QUATTRO-RSS-PEX



Valve ROYAL is designed for connecting to bathroom radiator outlet of full width pitch radiators (side connection) The valve can only be used for **direct connection (from the floor)**. **We recommend using compression fittings Royal.**

Type ROYAL	Order code
black	ROYAL-B
chrome	ROYAL-C



Compression fittings for valve CUBE (CET, -CE, -T), LINE, set	chrome	stainless steel
Copper Ø15	59004-C	59004-SS
Alupex Ø16 x 2	59102-C	59102-SS
Thread ½"		

Compression fittings for valve CUBE-COM, set	chrome	
Copper Ø15	33109-C	
Alupex Ø16 x 2	55502-C	
Thread M24		

Compression fittings for valve UNIKO, TERM, DUO set	black	chrome	stainless steel
Copper Ø15	ZZM1524	ZZM1502	ZZM1508
Alupex Ø16 x 2	ZZM1624	ZZM1602	ZZM1608
Thread ¾" EK - eurokonus			

Compression fittings for valve VISION, INTER, set	black	chrome	stainless steel
Copper Ø15	M15B4024	M15B4002	M15B4008
Alupex Ø16 x 2	M16B2024	M16B2002	M16B2008
Thread M22x1,5			

Compression fittings for valve UNIVERSAL, set	nickel	
Copper Ø15	F11120	
Alupex Ø16 x 2	F11462	
Thread ¾" EK - eurokonus		

Compression fittings for valve COMBI, EASY, TWIN, TWIN-COMBI, ONE, set	chrome	stainless steel
Copper Ø15	43304-C	43304-SS
Alupex Ø16 x 2	58702-C	58702-SS
Thread ¾" EK - eurokonus		

Compression fittings for valve ROYAL, set	black	chrome	
Copper Ø15	11804524	11804502	
Alupex Ø16 x 2	RMX04824	RMX04802	
Thread ½"			



ROSETTES

The valves CUBE have rosettes included in the design kit, except CUBE-COM.
For rosettes in matt black and stainless steel, installation is possible before installing the radiator.

Rosette for full width pitch radiators	Order code
white	013G3132
chrome	013G3133
black	R821B
stainless steel	R821SS

Rosette for close 50 mm pitch radiators	Order code
white	013G3207
chrome	013G3208
black	R823B
stainless steel	R823SS



Rosette for full width pitch radiators



Rosette for close connect 50 mm pitch radiators

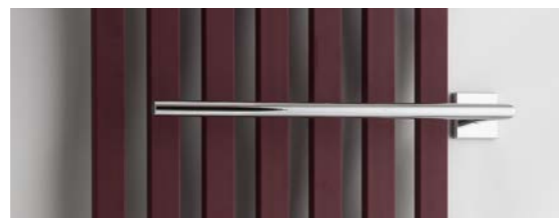
TOWEL HANGERS

Chrome	
PGH1H	490 × 164 mm
PGH2H	605 × 164 mm

Chrome	
PGH1	490 × 164 mm
PGH2	605 × 164 mm



Chrome hanger PGH1H - square



Chrome hanger PGH1



ACCESSORIES
HEATING ELEMENTS

ELECTRIC HEATING ELEMENTS



Heating rod PMH-HT

- timer START-STOP- after 2h electric heating element will automatically turn off
- 4-stage temperature regulation in the range of 30-60°C
- controller rotation in the range of 0-330°
- ANTIFREEZE function
- two-level overheating protection
- low power consumption in standby mode (Ultra-Low-Power)
- intelligent work control - microprocessor control
- visualization in colorful LED technology



PMH-HT2

Output [W]	Order code chrome	Order code white	Order code metallic silver (stainless effect)	Order code black
120	PMH-HT2-C-120W	-	-	-
200	PMH-HT2-C-200W	PMH-HT2-W-200W	PMH-HT2-MS-200W	PMH-HT2-B-200W
300	PMH-HT2-C-300W	PMH-HT2-W-300W	PMH-HT2-MS-300W	PMH-HT2-B-300W
400	PMH-HT2-C-400W	PMH-HT2-W-400W	PMH-HT2-MS-400W	PMH-HT2-B-400W
500	PMH-HT2-C-500W	PMH-HT2-W-500W	PMH-HT2-MS-500W	PMH-HT2-B-500W
600	PMH-HT2-C-600W	PMH-HT2-W-600W	PMH-HT2-MS-600W	PMH-HT2-B-600W
800	PMH-HT2-C-800W	PMH-HT2-W-800W	PMH-HT2-MS-800W	PMH-HT2-B-800W



PMH-HT2 - RK

Output [W]	Order code chrome	Order code white	Order code metallic silver (stainless effect)	Order code black
200	PMH-HT2-C-200W-RK	PMH-HT2-W-200W-RK	PMH-HT2-MS-200W-RK	PMH-HT2-B-200W-RK
300	PMH-HT2-C-300W-RK	PMH-HT2-W-300W-RK	PMH-HT2-MS-300W-RK	PMH-HT2-B-300W-RK
400	PMH-HT2-C-400W-RK	PMH-HT2-W-400W-RK	PMH-HT2-MS-400W-RK	PMH-HT2-B-400W-RK
500	PMH-HT2-C-500W-RK	PMH-HT2-W-500W-RK	PMH-HT2-MS-500W-RK	PMH-HT2-B-500W-RK
600	PMH-HT2-C-600W-RK	PMH-HT2-W-600W-RK	PMH-HT2-MS-600W-RK	PMH-HT2-B-600W-RK
800	PMH-HT2-C-800W-RK	PMH-HT2-W-800W-RK	PMH-HT2-MS-800W-RK	PMH-HT2-B-800W-RK



PMH-HT1

Heating element designed for direct connection of an electric cable to the wall.

Output [W]	Order code chrome	Order code white	Order code metallic silver (stainless effect)	Order code black
200	PMH-HT1-C-200W	PMH-HT1-W-200W	PMH-HT1-MS-200W	PMH-HT1-B-200W
300	PMH-HT1-C-300W	PMH-HT1-W-300W	PMH-HT1-MS-300W	PMH-HT1-B-300W
400	PMH-HT1-C-400W	PMH-HT1-W-400W	PMH-HT1-MS-400W	PMH-HT1-B-400W
500	PMH-HT1-C-500W	PMH-HT1-W-500W	PMH-HT1-MS-500W	PMH-HT1-B-500W
600	PMH-HT1-C-600W	PMH-HT1-W-600W	PMH-HT1-MS-600W	PMH-HT1-B-600W
800	PMH-HT1-C-800W	PMH-HT1-W-800W	PMH-HT1-MS-800W	PMH-HT1-B-800W



Heating rod PMH-NEX

Heating element is equipped with **Bluetooth, Wi-Fi**, Radio communication mode 868 MHz and built-in room temperature sensor with open window/door detection function.

Heating element can be operated remotely thanks to the **Smart Life / Tuya Smart** mobile application. If the electric heating element has stable Wi-Fi connection, it can be controlled from anywhere in the world, all you need is Internet access.

Electric radiator equipped with heating element PMH-NEX fulfills the requirements of the Eco Design Directive.

FUNCTIONS

- Weekly schedule - ability to set the radiator temperature, or the room temperature
- Measuring the room temperature/stopping the heating function for the time the window/door is open
- TURBO timer - the electric heating element maintains the set temperature for a period of up to 4 hours, after which the electric heating elements returns to the previously set temperature
- START-STOP timer - the electric heating element maintains the set temperature for a period of up to 4 hours, after which the electric heating elements turns off
- Possibility to choose the heating priority (radiator / room)
- Temperature regulation in the radiator in the range of 30°-60°C (from the application with an accuracy of 1°C)
- Room temperature regulation in the range of 17°C - 24°C (from the application with an accuracy of 0,1°C)
- If, due to the location of the device, the room temperature sensor indicates a different temperature than the actual temperature, it is possible to correct the reading. The correction may be +4C to -4C. Available with the application.
- Counter for amount and cost of energy used - based on entered data the application calculates the cost of device
- PARENTAL CONTROL function - blocking the push buttons on the appliance via the application
- Controller rotation in the range of 0° - 330°
- ANTIFREEZE function - protection against freezing of the medium in the radiator
- Two-level overheating protection
- Low power consumption in standby mode (Ultra-Low-Power)
- Intelligent work control - microprocessor control
- Visualization in colorful LED technology

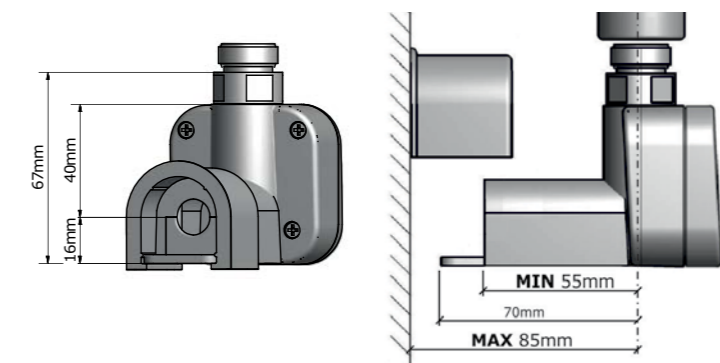


Heating element designed for direct connection of an electric cable to the wall.



PMH-NEX1

Output [W]	Order code white	Order code metallic silver (stainless effect)	Order code black
200	PMH-NEX1-W-200W	PMH-NEX1-MS-200W	PMH-NEX1-B-200W
300	PMH-NEX1-W-300W	PMH-NEX1-MS-300W	PMH-NEX1-B-300W
400	PMH-NEX1-W-400W	PMH-NEX1-MS-400W	PMH-NEX1-B-400W
500	PMH-NEX1-W-500W	PMH-NEX1-MS-500W	PMH-NEX1-B-500W
600	PMH-NEX1-W-600W	PMH-NEX1-MS-600W	PMH-NEX1-B-600W
800	PMH-NEX1-W-800W	PMH-NEX1-MS-800W	PMH-NEX1-B-800W



ELECTRIC HEATING ELEMENTS



Heating rod PMH-ET2

Electric heater with thermostat reacts to the temperature of the heating medium in the radiator, temperature control 5-65°C. IP44. Cable length is 1.3 m.

Output [W]	Order code chrome	Order code white coated	Order code metallic silver	Order code black	Order code black matt
150	PMH-ET2-C-150W	PMH-ET2-W-150W	PMH-ET2-MS-150W	PMH-ET2-B-150W	PMH-ET2-BL-150W
300	PMH-ET2-C-300W	PMH-ET2-W-300W	PMH-ET2-MS-300W	PMH-ET2-B-300W	PMH-ET2-BL-300W
600	PMH-ET2-C-600W	PMH-ET2-W-600W	PMH-ET2-MS-600W	PMH-ET2-B-600W	PMH-ET2-BL-600W

Heating rod EL 05E

Electric heaters EL.05 E are designed for tubular radiators, which are used for combination heating especially in areas such as bathrooms, fitness or residential spaces. The heating period is used for central heating systems with central heat source outside the heating season; the heating element takes over and is operated by the electric heat source. The unit is IP44 protected and has a cable length of 1.5m. Country regulations may apply regarding if the heating element can be plugged in or needs to be hard wired.

EL 05 bodies are supplied with white or metallic silver straight electrical cord for connection to the electrical outlet. To ensure operator comfort is maintained, it is recommended to install an on/off switch (VS1), temperature controller (RE10A) or other control device.

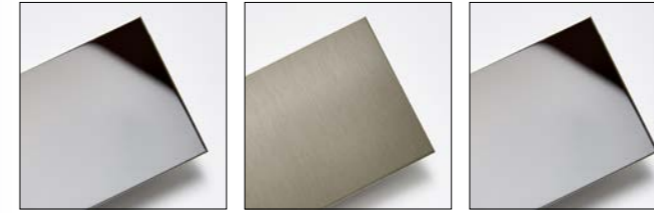


VS1 RE10A



Output [W]	Order code white (cable)	Order code metallic silver (cable)
200	EL05E-W-200W	EL05E-MS-200W
300	EL05E-W-300W	EL05E-MS-300W
400	EL05E-W-400W	EL05E-MS-400W
500	EL05E-W-500W	EL05E-MS-500W
600	EL05E-W-600W	EL05E-MS-600W
700	EL05E-W-700W	EL05E-MS-700W
thermostat	RE10A-W	RE10A-MS
switch	VS1	

FINISHES



Chrome Brushed stainless steel Polished stainless

STANDARD COLOUR COATINGS



... W ... MS ... GB ... A ... B

STRUCTURAL COLOUR COATINGS



... WE ... BE ... GBE ... RE ... BR ... BL



... MES

The paint finishes can be ordered for all PMH radiators, except ELECTRIC DRYERS and ZOE.

Example of order: Order code for KRONOS 600 × 1182 mm in claret is KR2RE.
Order code = radiator code + color (coatings).

Technical changes and colour are subject to variations.



P.M.H.

P.M.H. Design s.r.o.
Přísečná 536
CZ-381 01 Český Krumlov

T: 00420 380 711 237
E: info@pmh-co.cz

www.pmh-co.cz